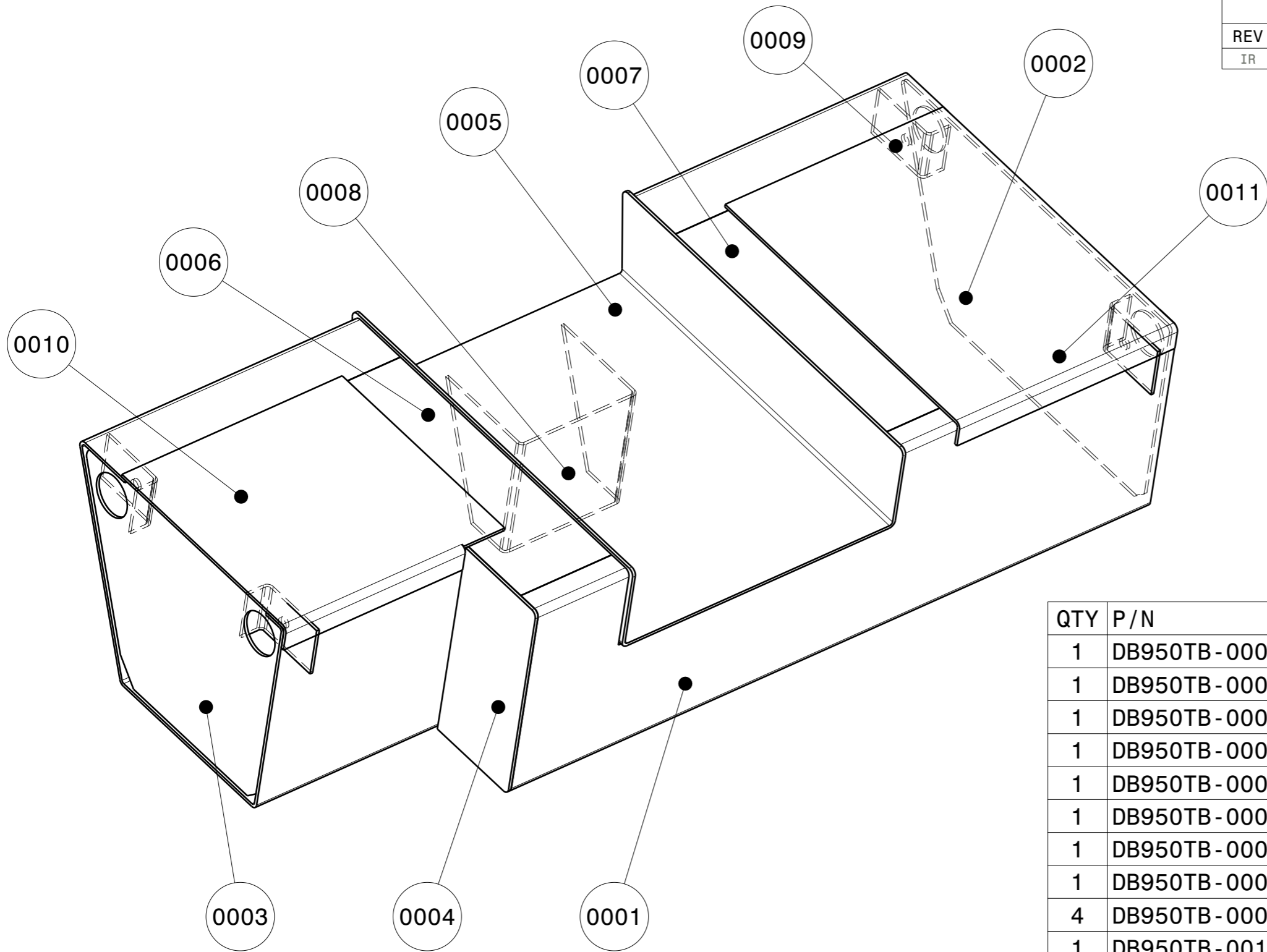
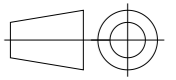


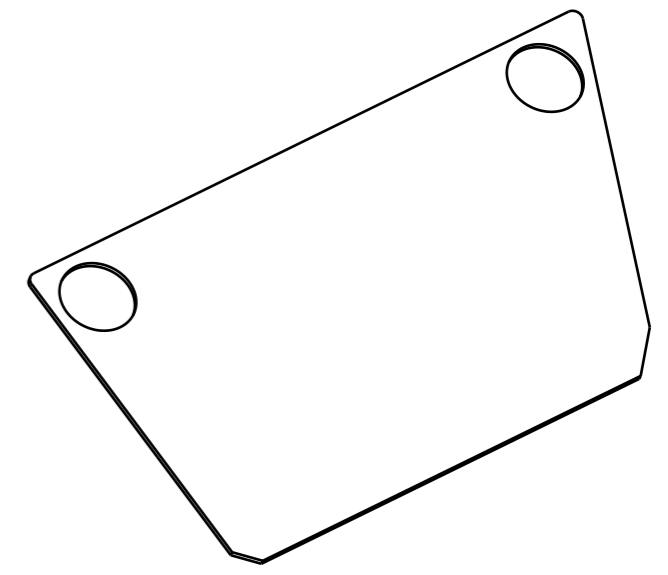
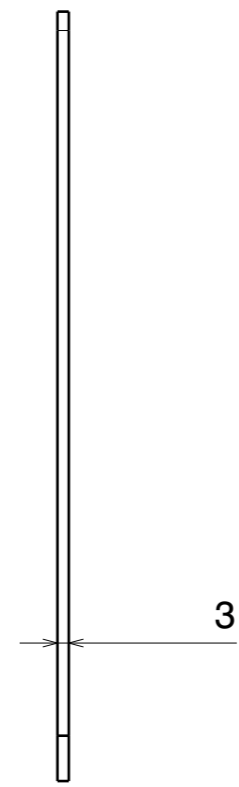
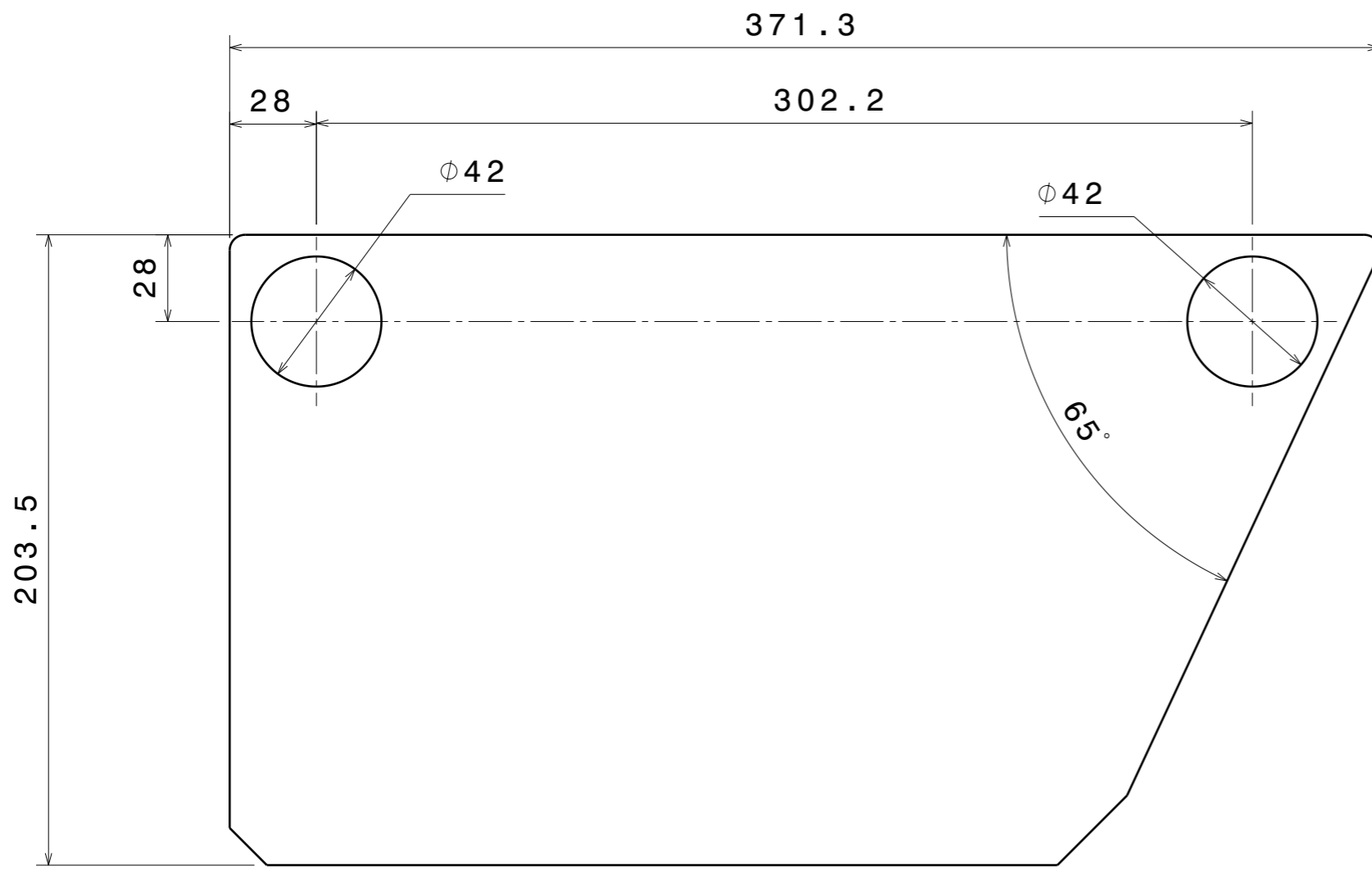
REVISION HISTORY		
REV	REVISION DESCRIPTION	DATE
IR	INITIAL RELEASE	14/04/2017



QTY	P/N	POS.	DESCRIPTION	MATERIAL	THK
1	DB950TB-0001	0001	MAIN CHANNEL	S355	3mm
1	DB950TB-0002	0002	LEFT SIDE PLATE	S355	3mm
1	DB950TB-0003	0003	RIGHT SIDE PLATE	S355	3mm
1	DB950TB-0004	0004	MID SIDE PLATE	S355	3mm
1	DB950TB-0005	0005	SEAT SUPPORT	S355	3mm
1	DB950TB-0006	0006	RIGHT UPPER PLATE	S355	3mm
1	DB950TB-0007	0007	LEFT UPPER PLATE	S355	3mm
1	DB950TB-0008	0008	INNER MIDDLE CHANNEL	S355	3mm
4	DB950TB-0009	0009	DAMPER ANGLE	S355	3mm
1	DB950TB-0010	0010	RIGHT COVER PLATE	S355	3mm
1	DB950TB-0011	0011	LEFT COVER PLATE	S355	3mm

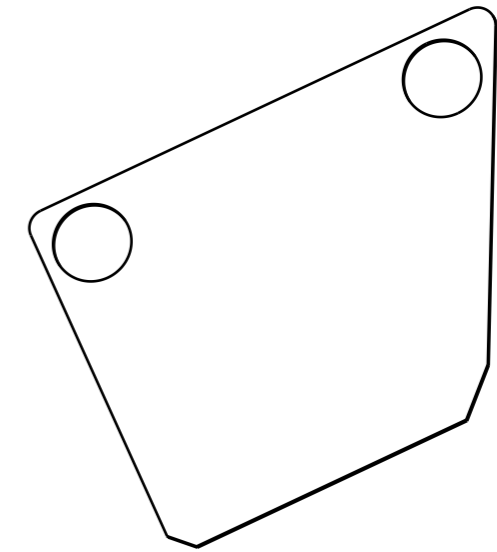
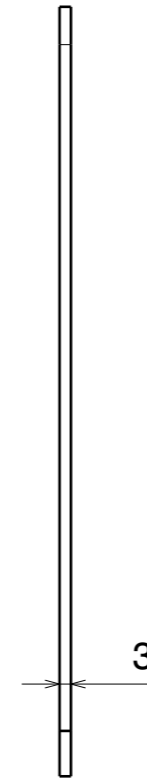
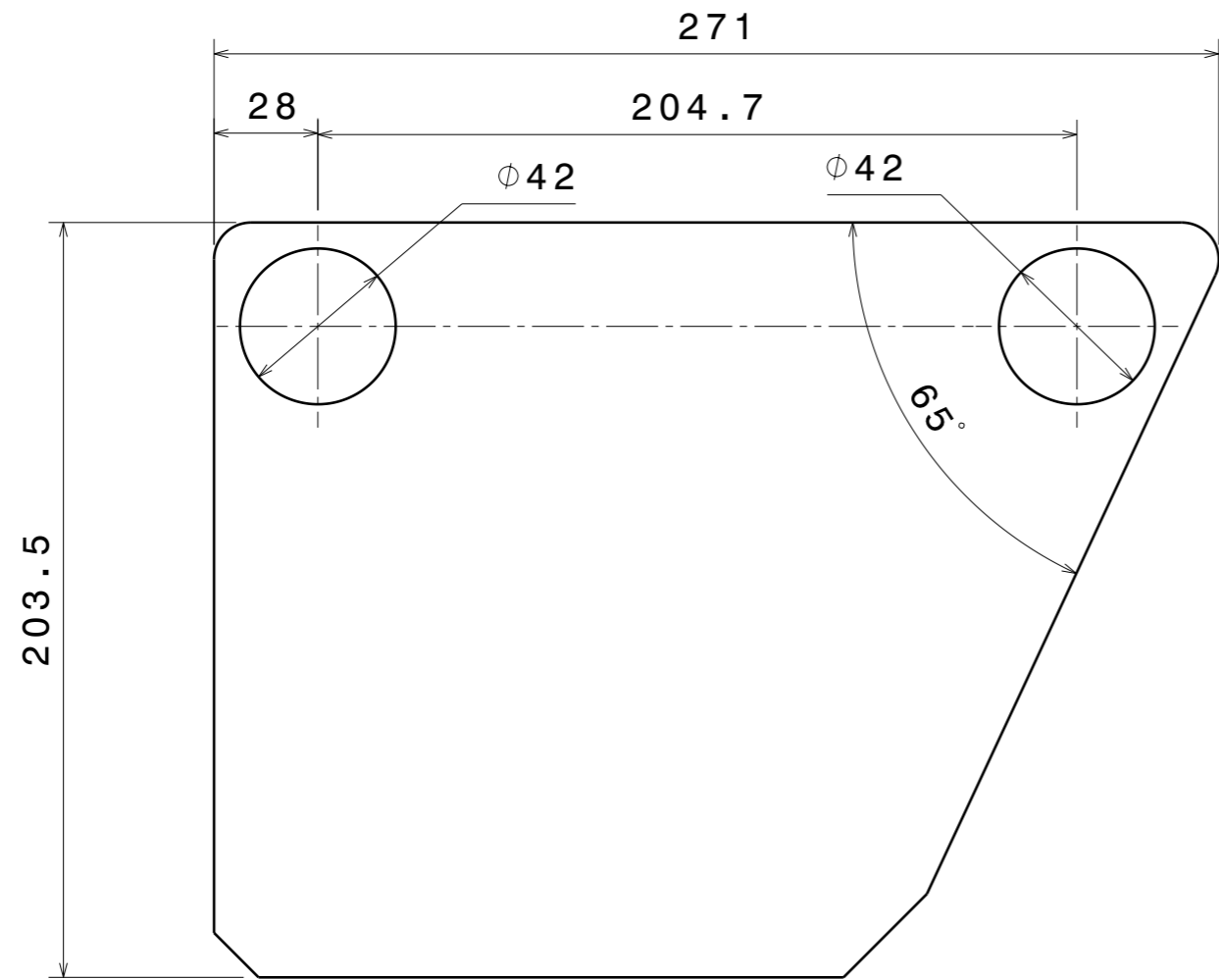
TITLE: DB950 TOOL BOX				SHEET	1 OF 12
				REV	IR
NO: DB950TB-0100				DRAWING SIZE: DIN A3	
				SCALE:	1:4
NAME:	DRAWN	STRESS	APPROVED	TOLERANCE	 ISO/E PROJECTION
DATE				ISO 2768-mK	

REVISION HISTORY		
REV	REVISION DESCRIPTION	DATE
IR	INITIAL RELEASE	14/04/2017



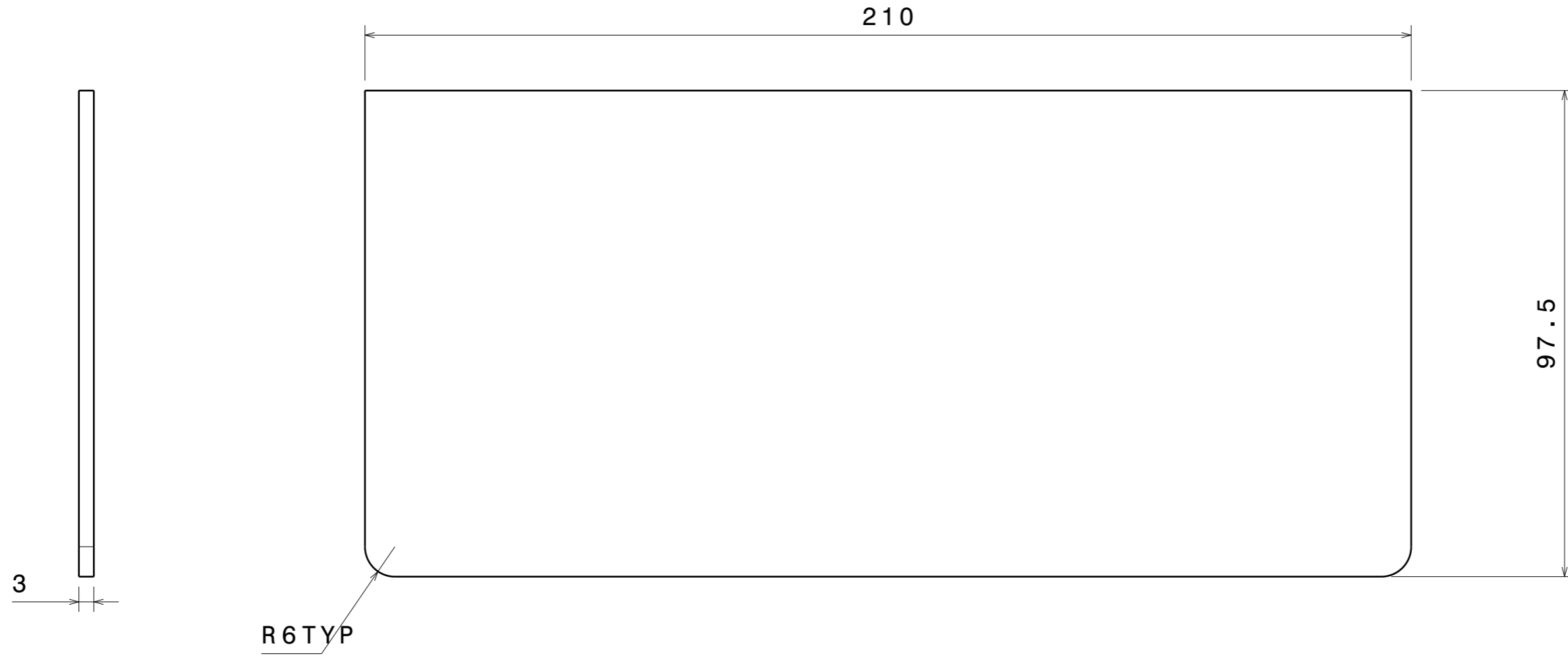
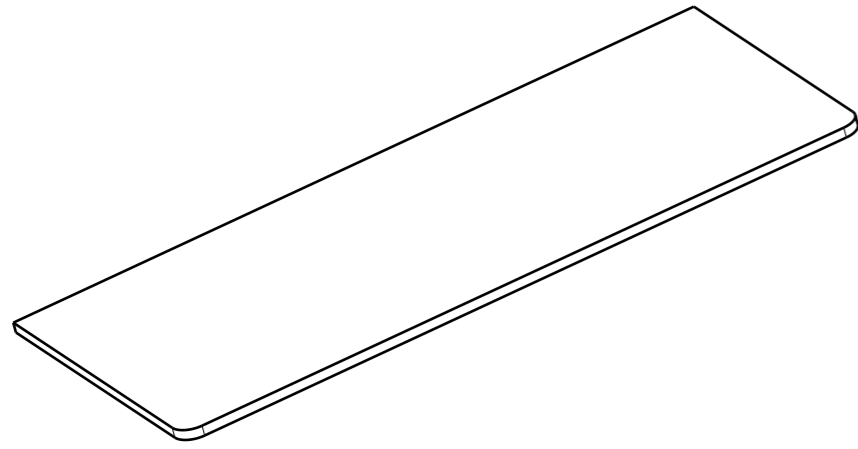
TITLE:		LEFT SIDE PLATE			SHEET	3 OF 12
NO:		DB950TB-0002			REV	IR
					DRAWING SIZE: DIN A3	
					SCALE:	1:2
MATERIAL		S355	THK: 3mm	TOLERANCE		 ISO/E PROJECTION
NAME:	DRAWN	STRESS	APPROVED	ISO 2768-mK		
DATE						

REVISION HISTORY		
REV	REVISION DESCRIPTION	DATE
IR	INITIAL RELEASE	14/04/2017



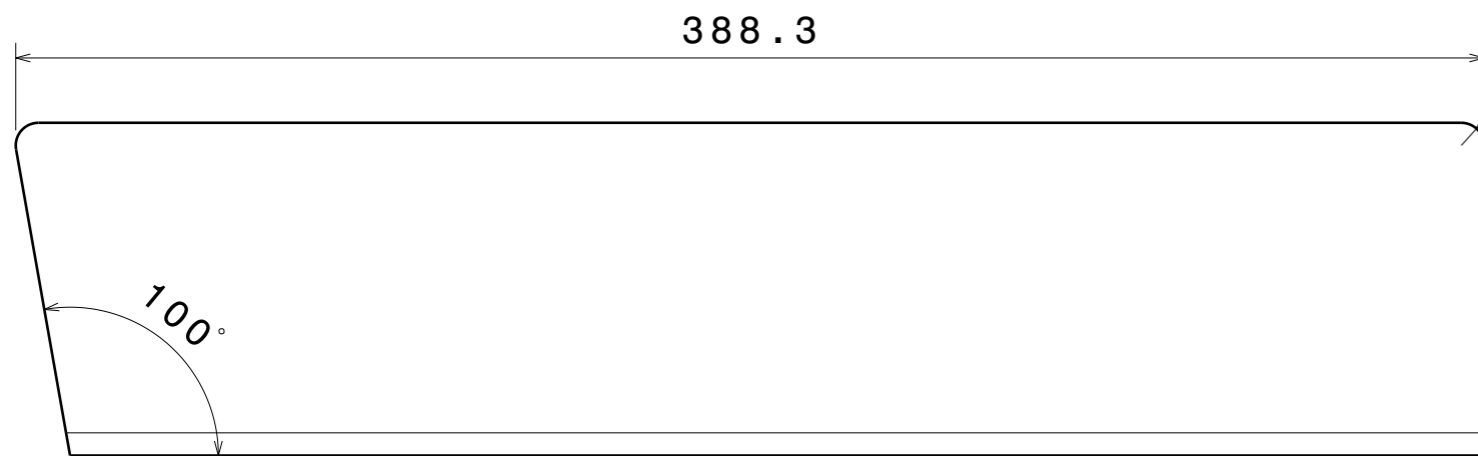
TITLE: RIGHT SIDE PLATE				SHEET	4 OF 12
				REV	IR
NO: DB950TB-0003				DRAWING SIZE: DIN A3	
				SCALE:	1:2
MATERIAL		S355	THK: 3mm	TOLERANCE	
NAME:	DRAWN	STRESS	APPROVED		
DATE				ISO 2768-mK	ISO/E PROJECTION

REVISION HISTORY		
REV	REVISION DESCRIPTION	DATE
IR	INITIAL RELEASE	14/04/2017

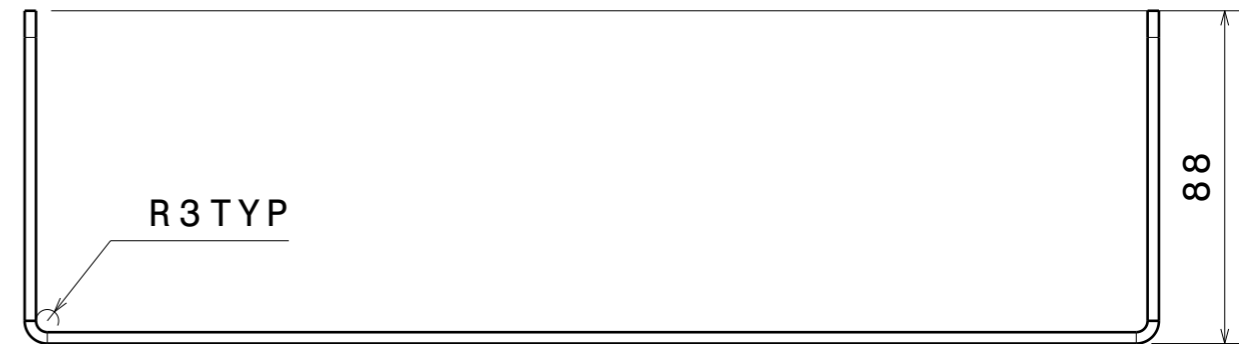


TITLE: MID SIDE PLATE				SHEET	5 OF 12
				REV	IR
NO: DB950TB-0004				DRAWING SIZE: DIN A3	
				SCALE:	1:1
MATERIAL		S355	THK: 3mm	TOLERANCE	
NAME:	DRAWN	STRESS	APPROVED	ISO 2768-mK	
DATE				ISO/E PROJECTION	

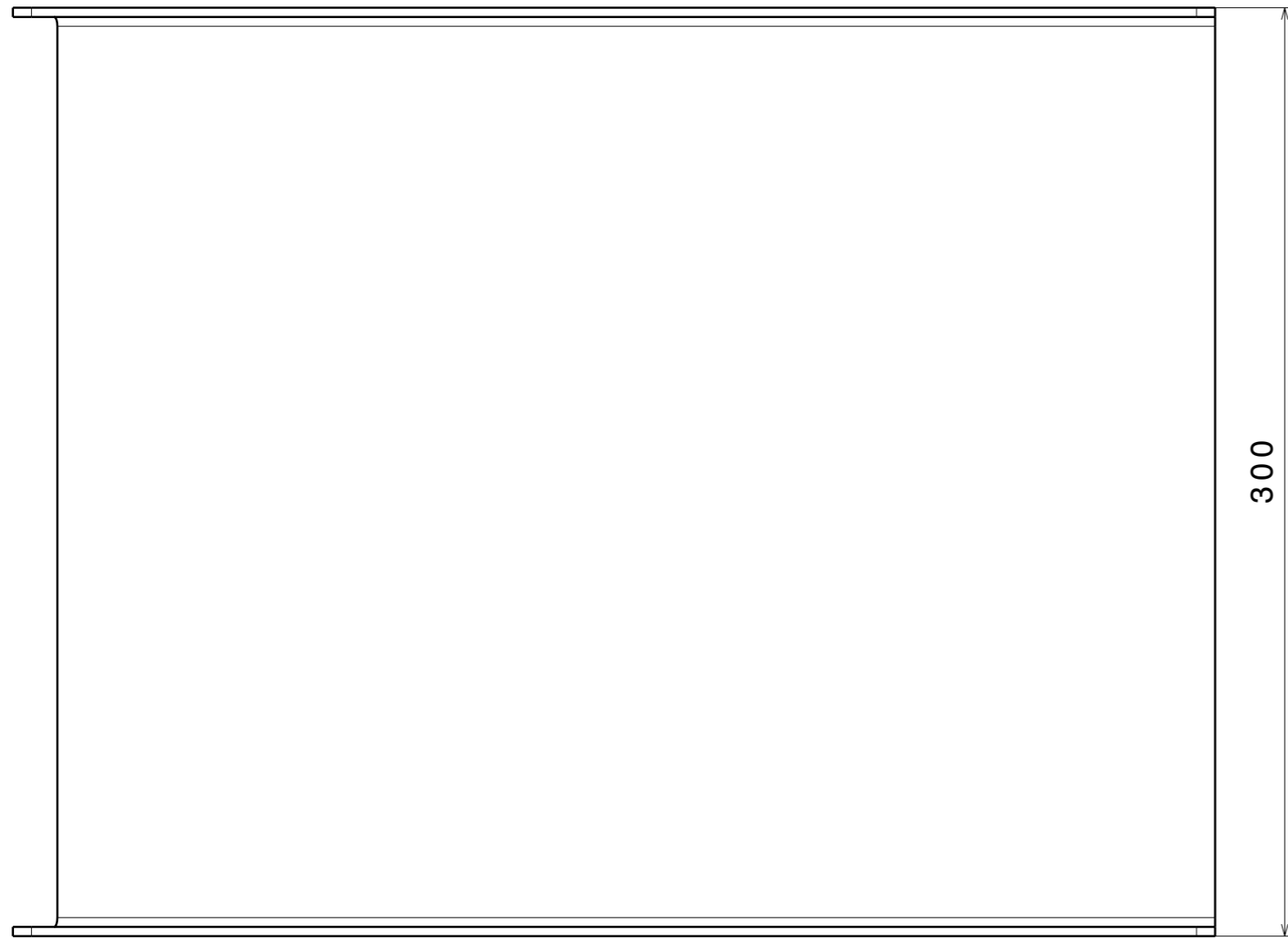
REVISION HISTORY		
REV	REVISION DESCRIPTION	DATE
IR	INITIAL RELEASE	14/04/2017



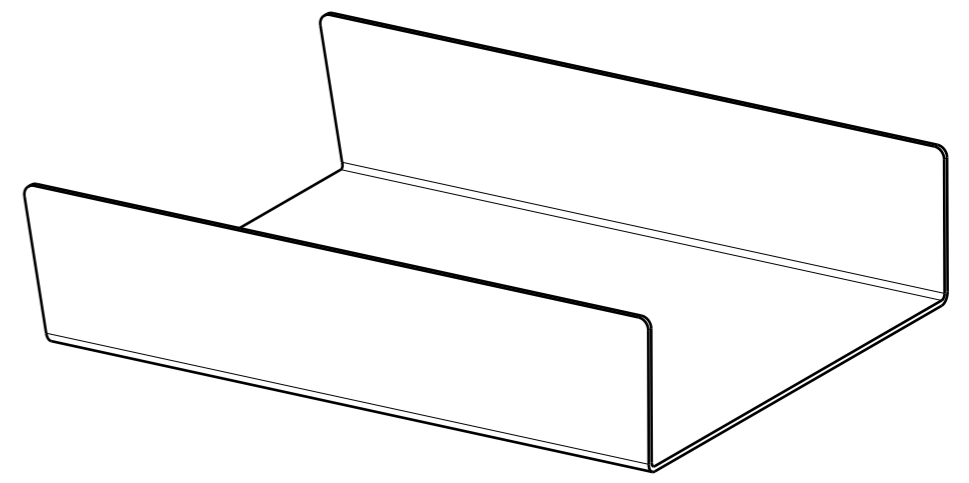
R6 TYP



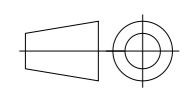
R3 TYP



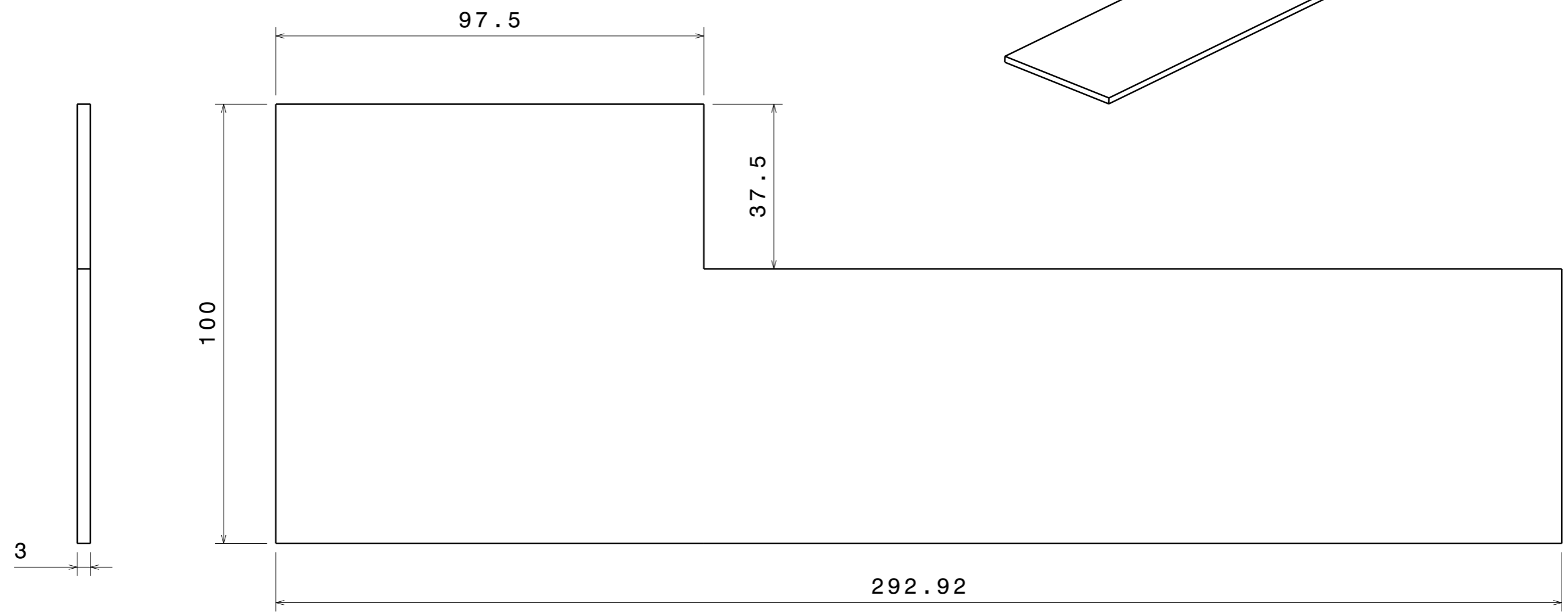
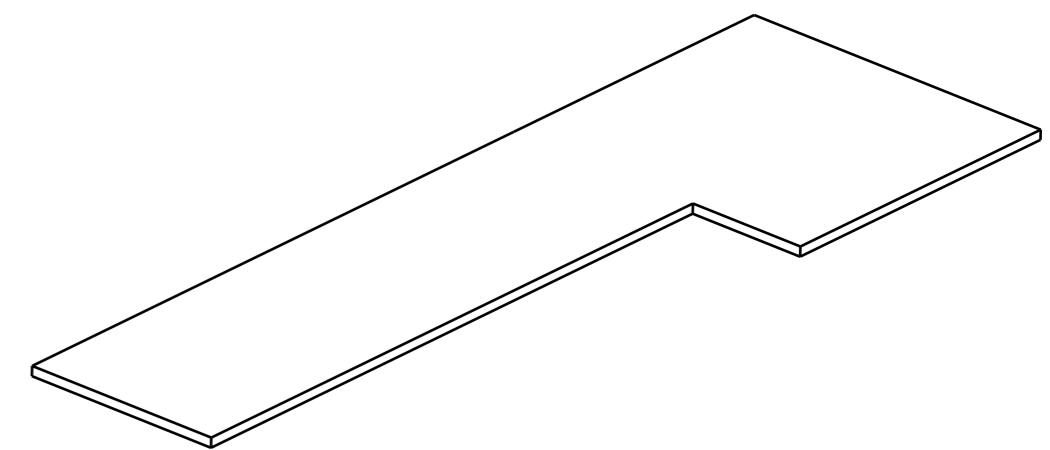
300



TITLE:		SEAT SUPPORT			SHEET	6 OF 12
NO:		DB950TB-0005			REV	IR
					DRAWING SIZE: DIN A3	
					SCALE:	1:2
MATERIAL		S355	THK: 3mm	TOLERANCE ISO 2768-mK		
NAME:	DRAWN	STRESS	APPROVED			
DATE				ISO/E PROJECTION		

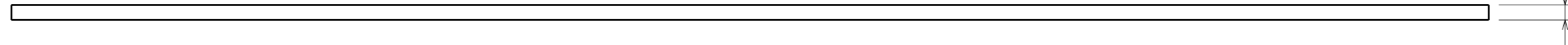
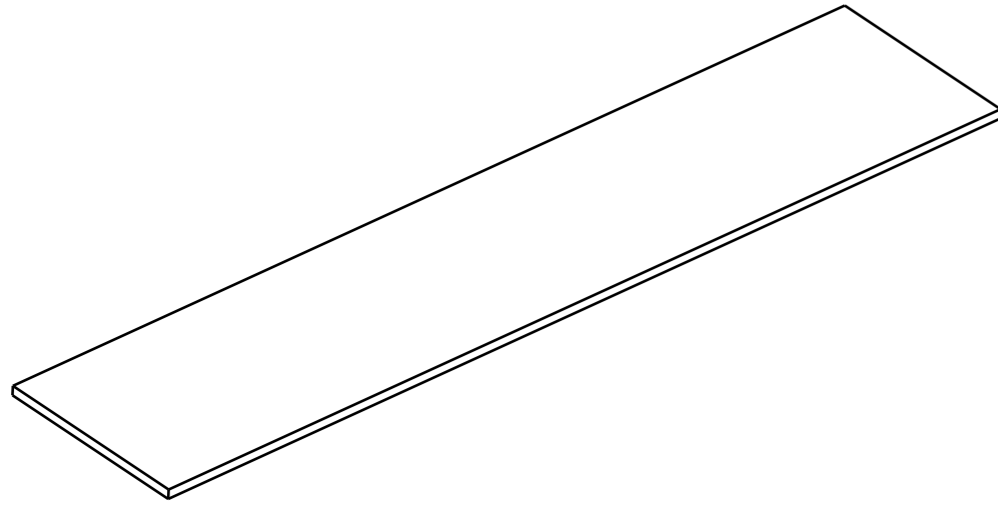


REVISION HISTORY		
REV	REVISION DESCRIPTION	DATE
IR	INITIAL RELEASE	14/04/2017

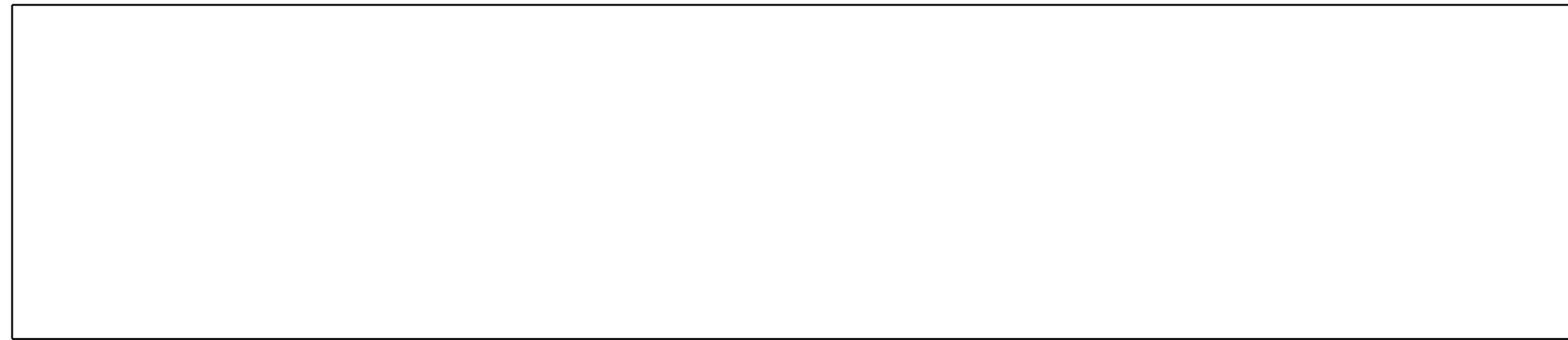


TITLE: RIGHT UPPER PLATE				SHEET	7 OF 12
				REV	IR
NO: DB950TB-0007				DRAWING SIZE: DIN A3	
				SCALE:	1:1
MATERIAL		S355	THK: 3mm	TOLERANCE ISO 2768-mK	
NAME:	DRAWN	STRESS	APPROVED		
DATE				ISO/E PROJECTION	

REVISION HISTORY		
REV	REVISION DESCRIPTION	DATE
IR	INITIAL RELEASE	14/04/2017



3



292.9

62.5

TITLE: LEFT UPPER PLATE				SHEET	8 OF 12
				REV	IR
NO: DB950TB-0007				DRAWING SIZE: DIN A3	
				SCALE:	1:1
MATERIAL		S355	THK: 3mm	TOLERANCE ISO 2768-mK	
NAME:	DRAWN	STRESS	APPROVED		
DATE				ISO/E PROJECTION	

2

2

1

1

D

C

B

A

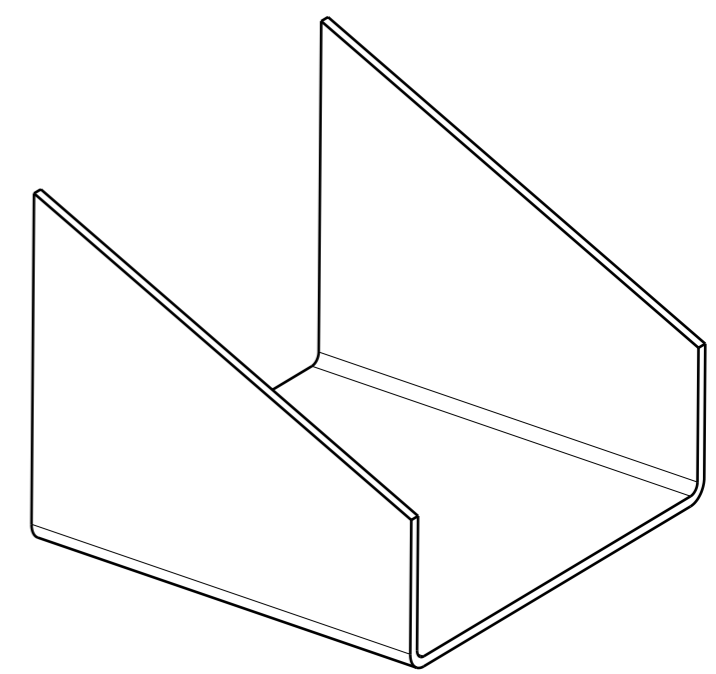
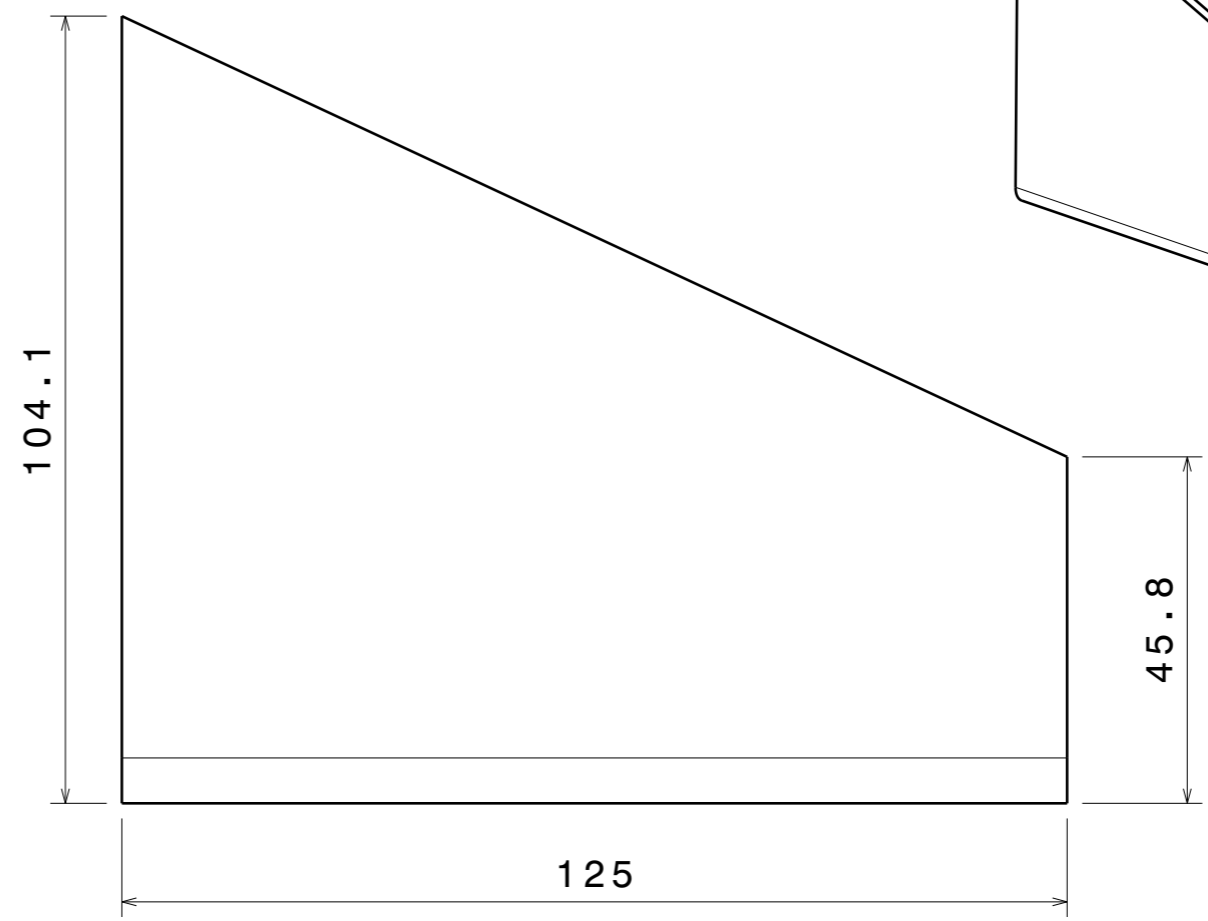
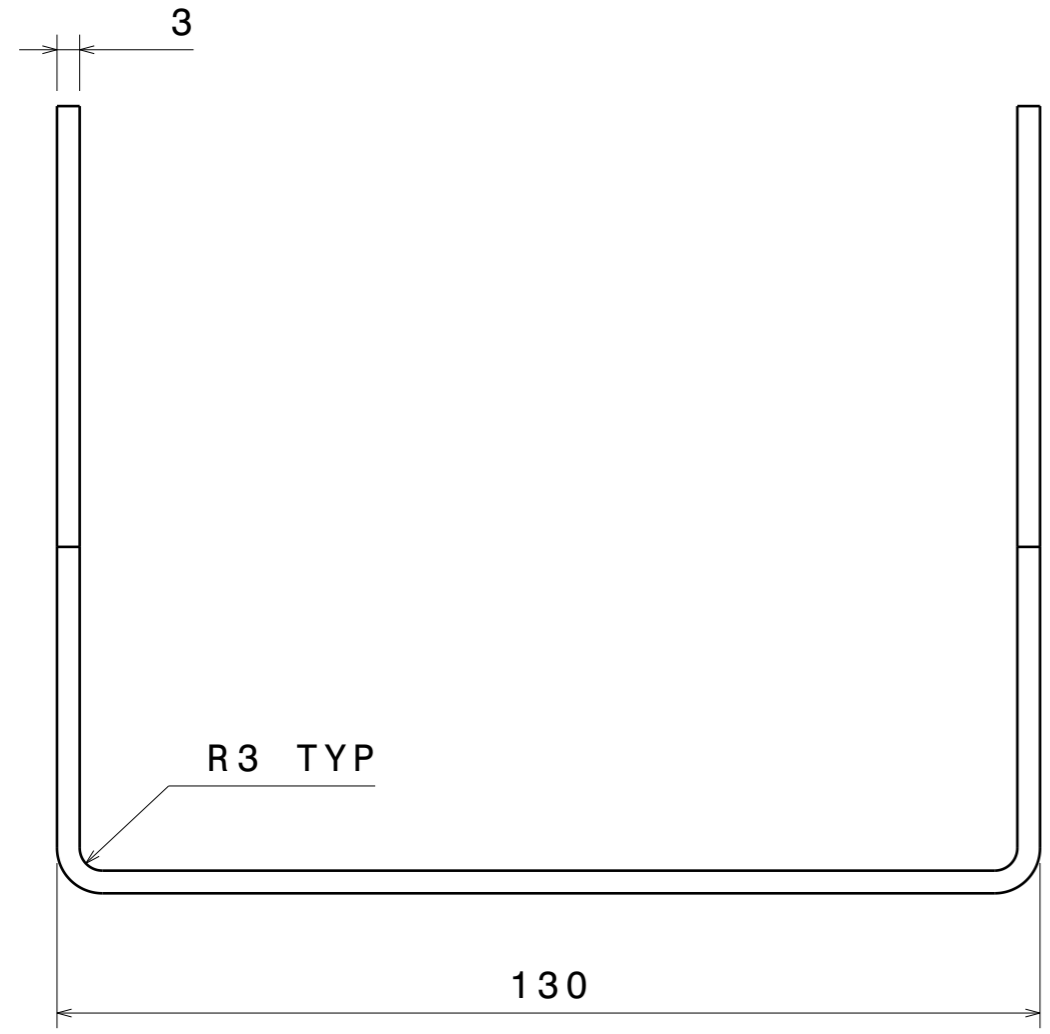
D

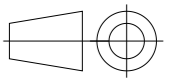
C

B

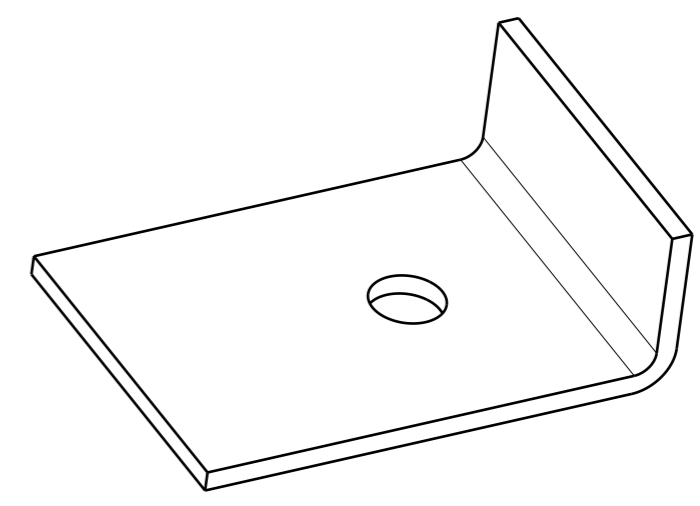
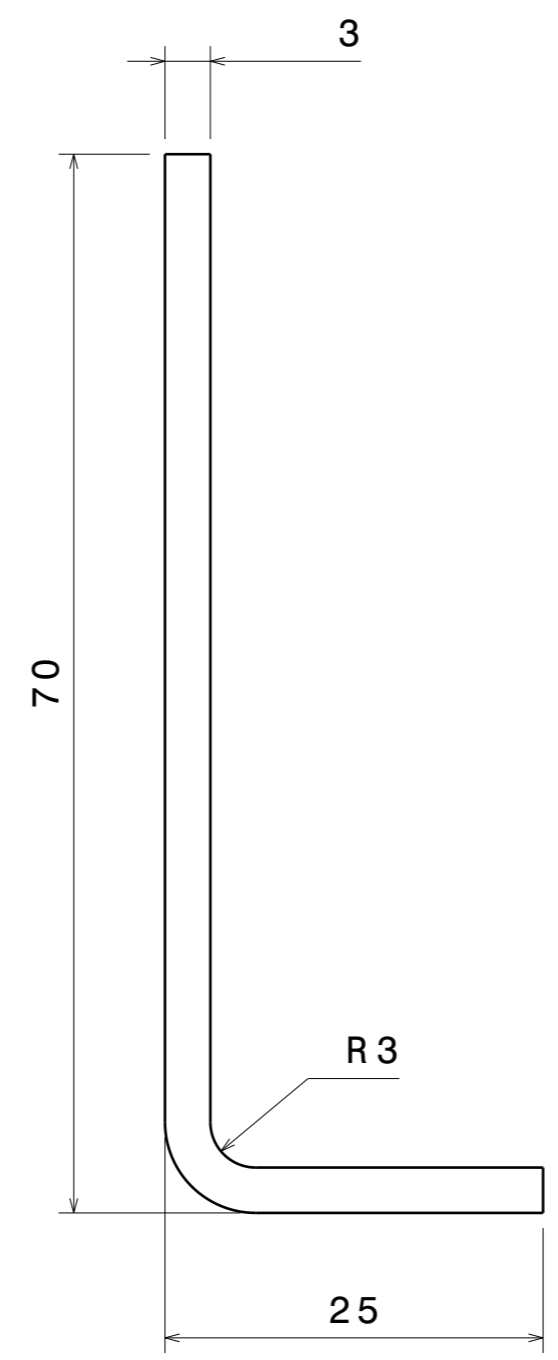
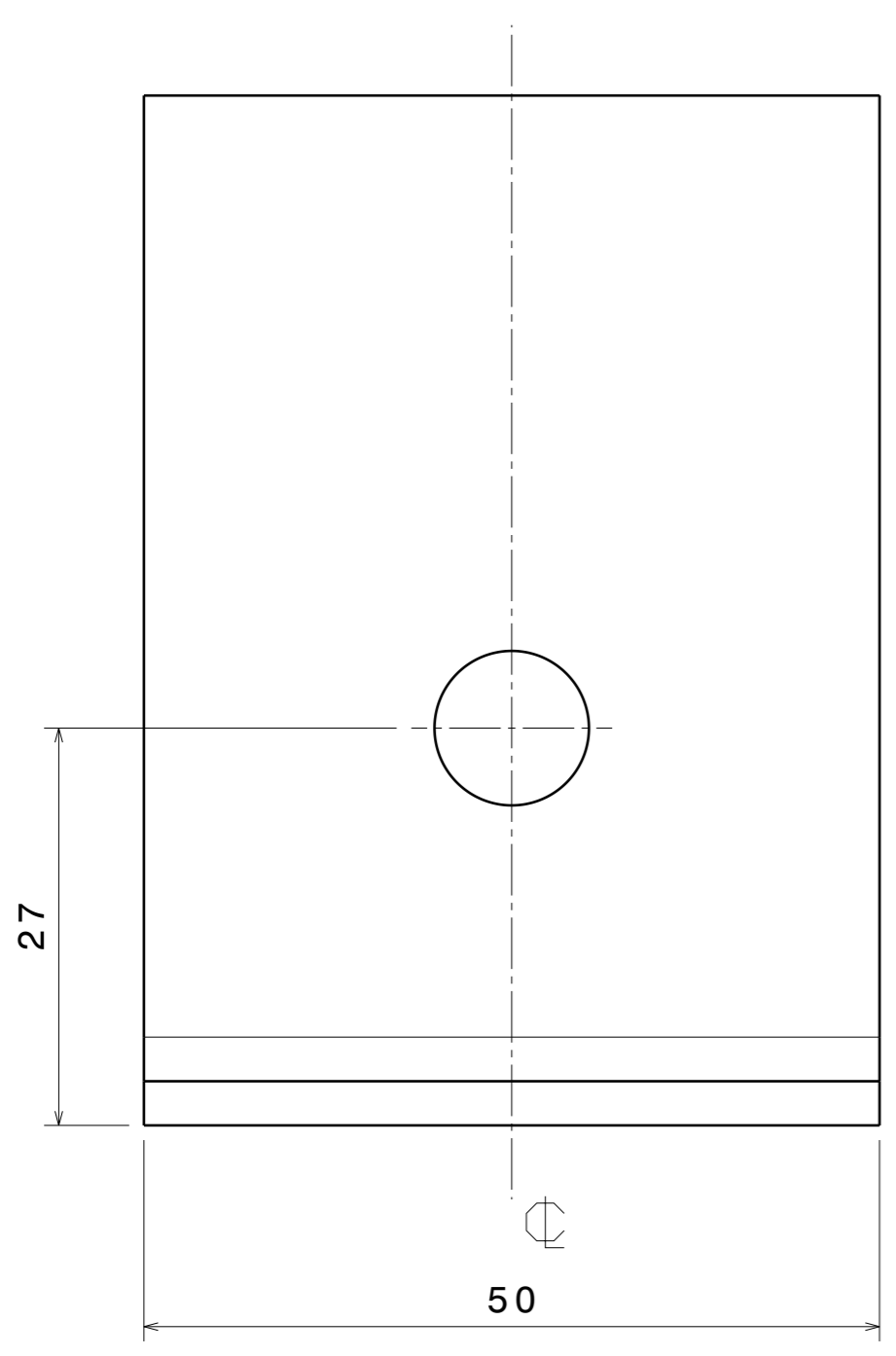
A

REVISION HISTORY		
REV	REVISION DESCRIPTION	DATE
IR	INITIAL RELEASE	14/04/2017



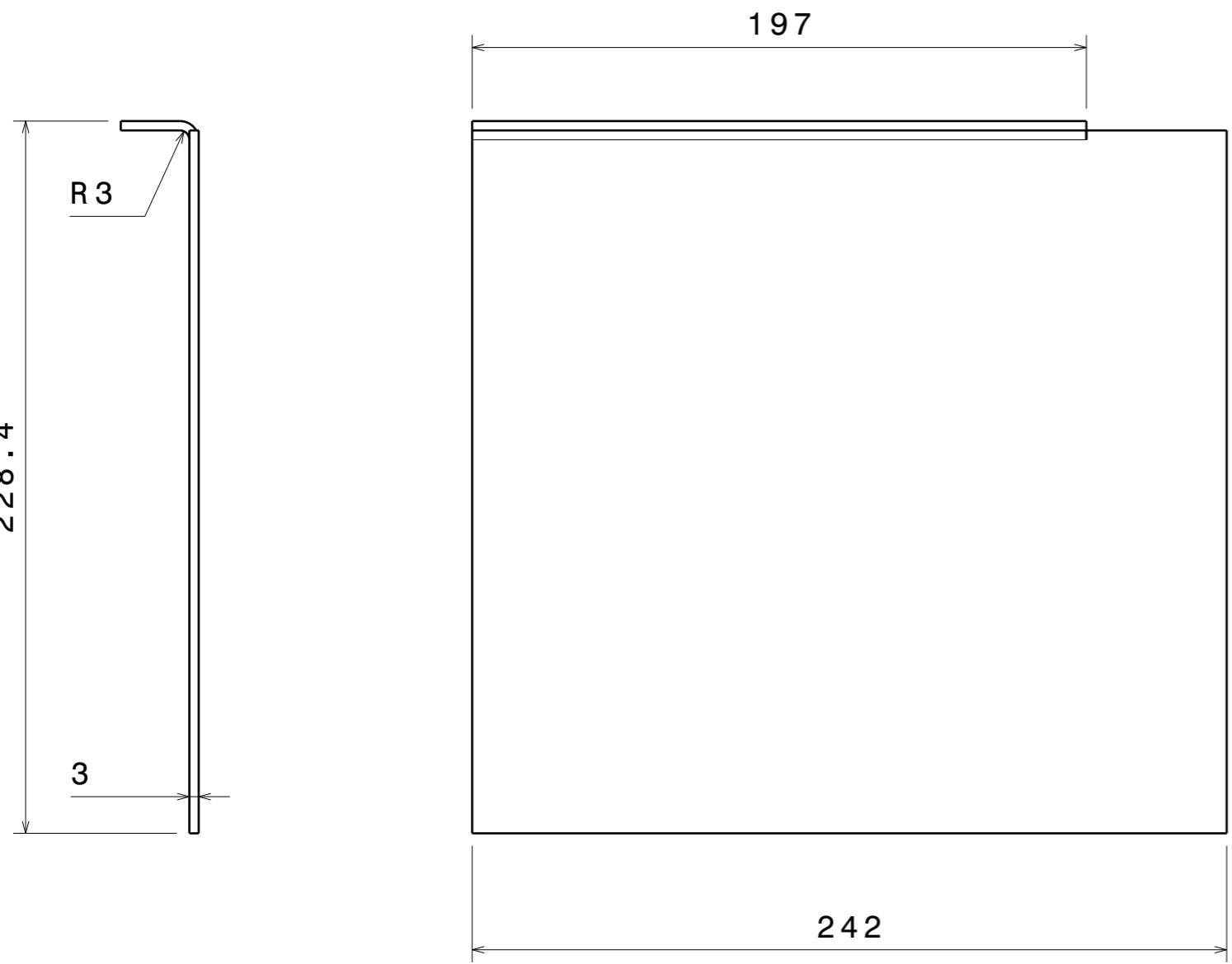
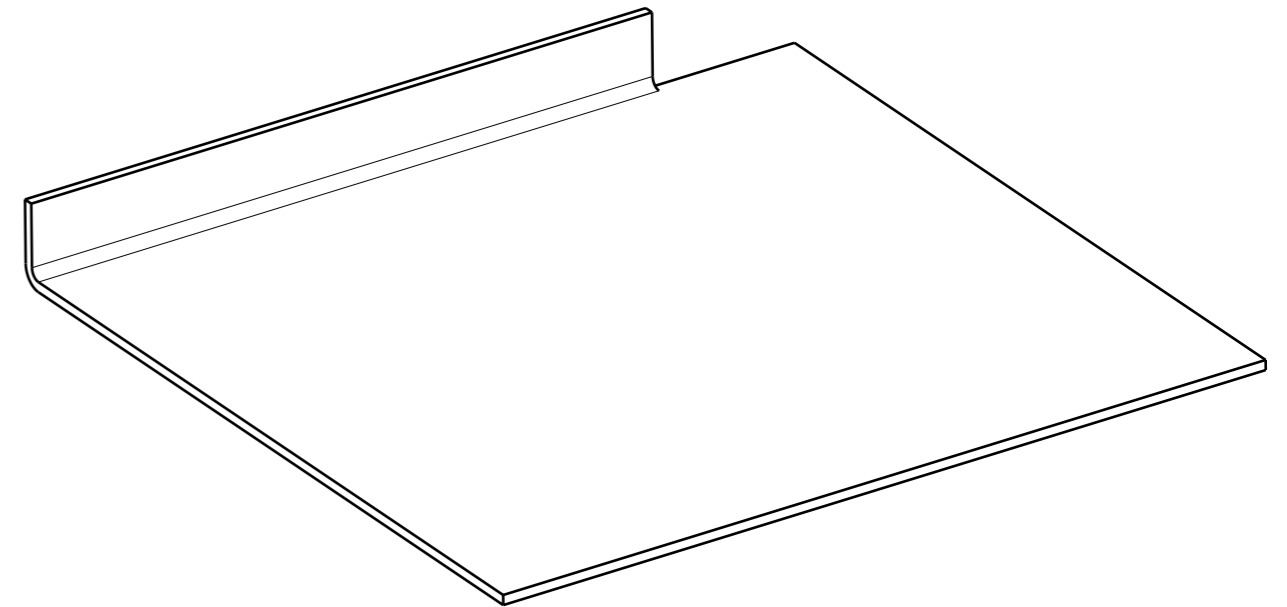
TITLE: INNER MIDDLE CHANNEL				SHEET	9 OF 12
				REV	IR
NO: DB950TB-0008				DRAWING SIZE: DIN A3	
				SCALE:	1:1
MATERIAL		S355	THK: 3mm	TOLERANCE	 ISO/E PROJECTION
NAME:	DRAWN	STRESS	APPROVED		
DATE				ISO 2768-mK	

REVISION HISTORY		
REV	REVISION DESCRIPTION	DATE
IR	INITIAL RELEASE	14/04/2017



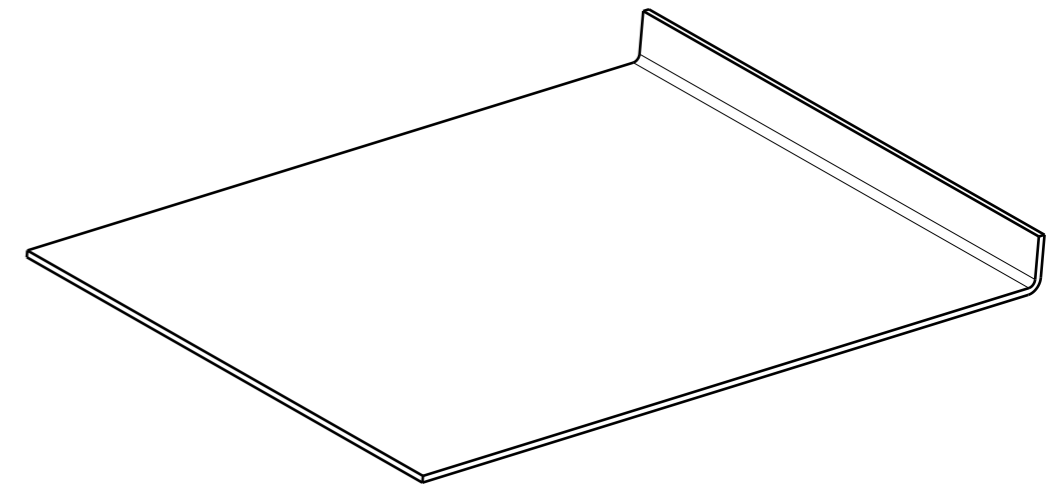
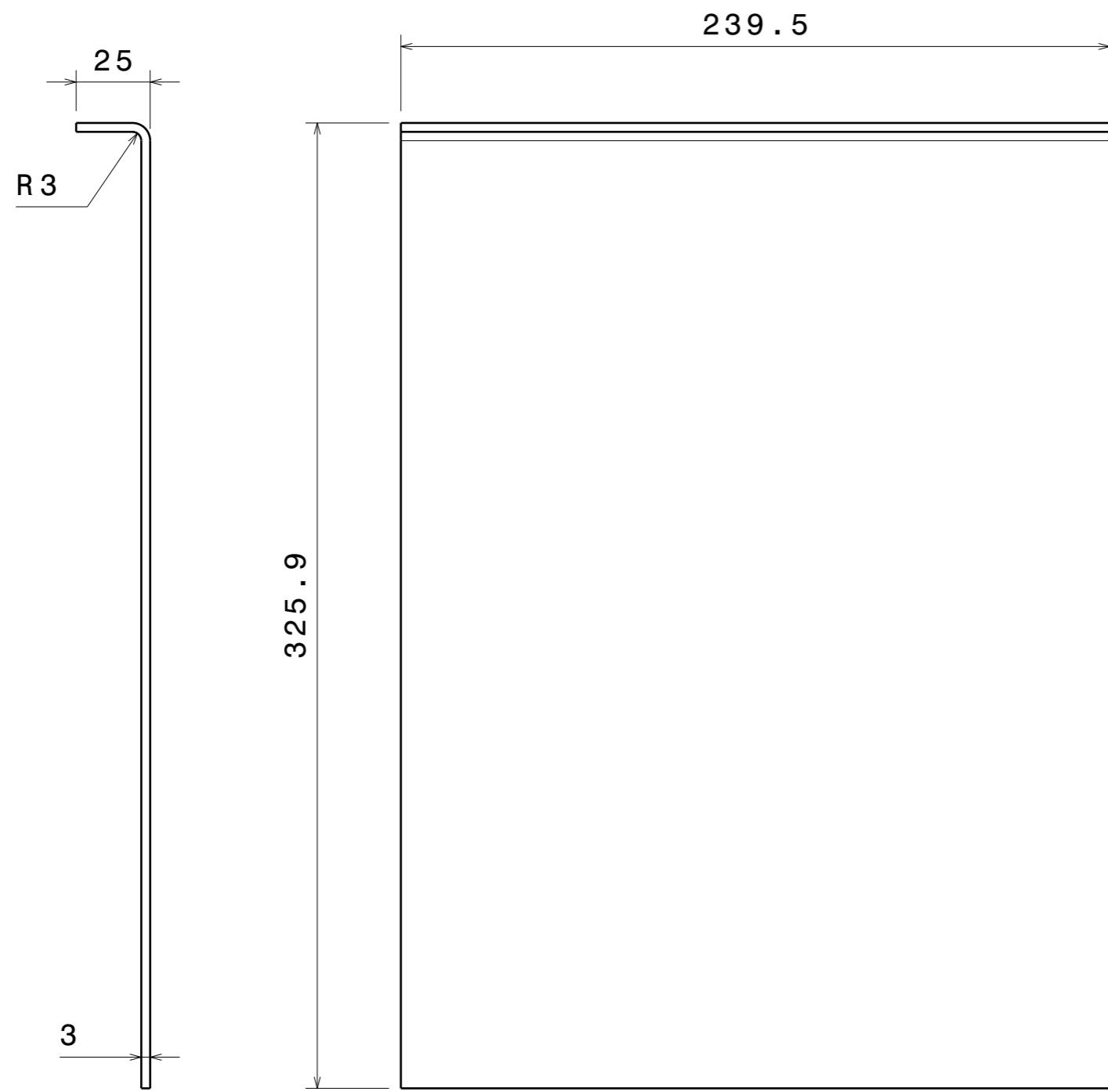
TITLE:		DAMPER ANGLE			SHEET	10 OF 12
NO:		DB950TB-0009			REV	IR
					DRAWING SIZE: DIN A3	
					SCALE:	2:1
MATERIAL		S355	THK: 3mm	TOLERANCE ISO 2768-mK		
NAME:	DRAWN	STRESS	APPROVED			
DATE				ISO/E PROJECTION		

REVISION HISTORY		
REV	REVISION DESCRIPTION	DATE
IR	INITIAL RELEASE	14/04/2017



TITLE: RIGHT COVER PLATE				SHEET	10 OF 12
				REV	IR
NO: DB950TB-0010				DRAWING SIZE: DIN A3	
				SCALE:	1:2
MATERIAL		S355	THK: 3mm	TOLERANCE ISO 2768-mK	
NAME:	DRAWN	STRESS	APPROVED		
DATE				ISO/E PROJECTION	

REVISION HISTORY		
REV	REVISION DESCRIPTION	DATE
IR	INITIAL RELEASE	14/04/2017



TITLE: LEFT COVER PLATE				SHEET	10 OF 12
				REV	IR
NO: DB950TB-0011				DRAWING SIZE: DIN A3	
				SCALE:	1:2
MATERIAL		S355	THK: 3mm	TOLERANCE ISO 2768-mK	
NAME:	DRAWN	STRESS	APPROVED		
DATE				ISO/E PROJECTION	