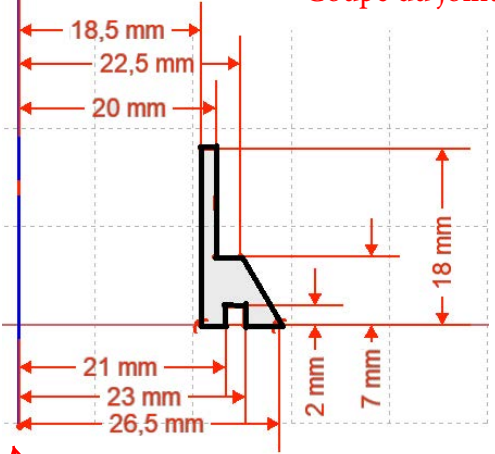
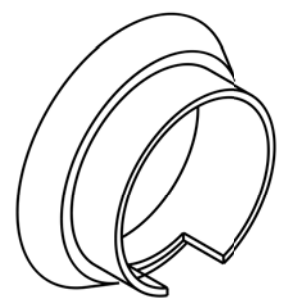
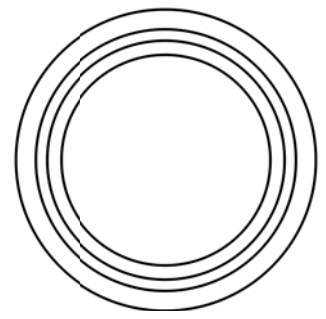
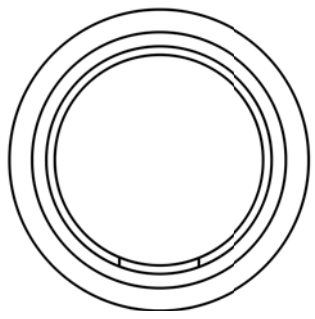
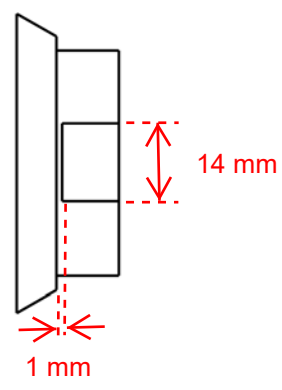


F E D C B A

Coupe du joint



Axe de rotation



DESIGNED BY: Designed by Name		Title Joint entre mitigeur et plan évier		G	-
DATE: Date		Subtitle		F	-
SIZE A4				E	-
				D	-
SCALE Scale	WEIGHT (kg) Weight	DRAWING NUMBER Drawing number	SHEET Sheet	C	-
				B	-
This drawing is our property; it can't be reproduced or communicated without our written consent.				A	-

F E D C B A

4
3
2
1

4
3
2
1