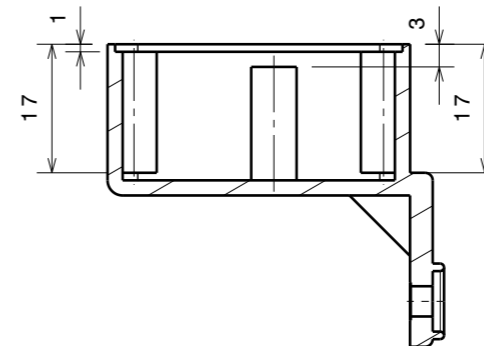
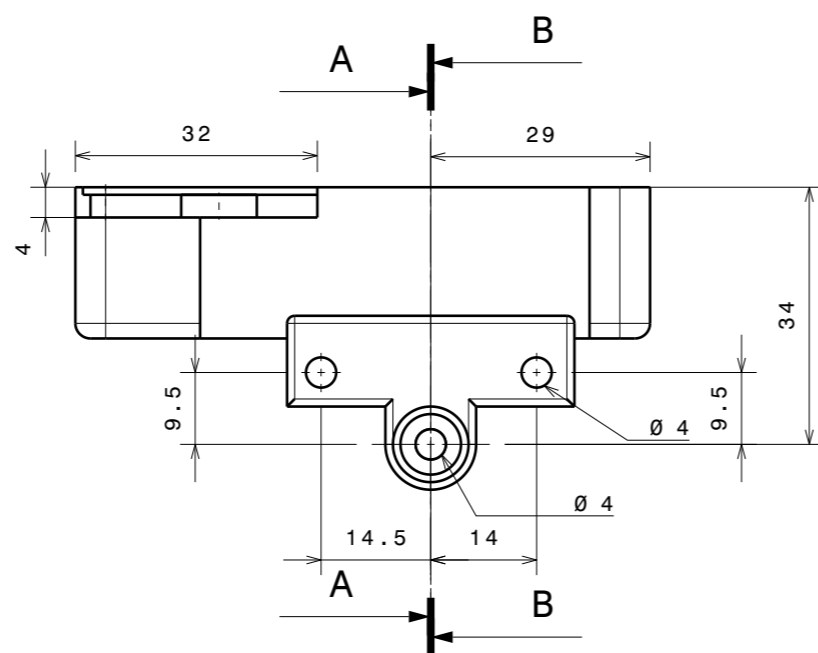
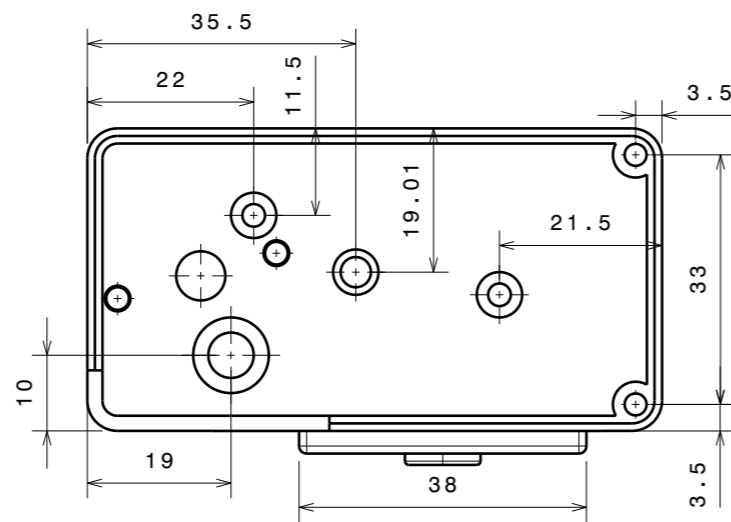
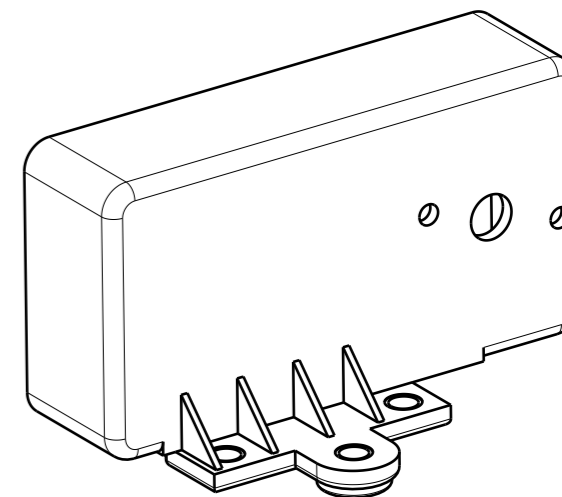


Coupe B-B  
Echelle : 1:1



Coupe A-A  
Echelle : 1:1



DESIGNED BY: <b>Fabien</b>	<b>Demi carter de protection</b>		I	-	
DATE: 11/08/2017			H	-	
CHECKED BY: XXX	XXX		G	-	
DATE: XXX			F	-	
SIZE <b>A3</b>		XXX		E	-
SCALE <b>1:1</b>				D	-
WEIGHT (kg) <b>XXX</b>	DRAWING NUMBER	XXX		C	-
SHEET <b>1/1</b>				B	-
This drawing is our property; it can't be reproduced or communicated without our written agreement.				A	-