

H G F E D C B A

4

3

2

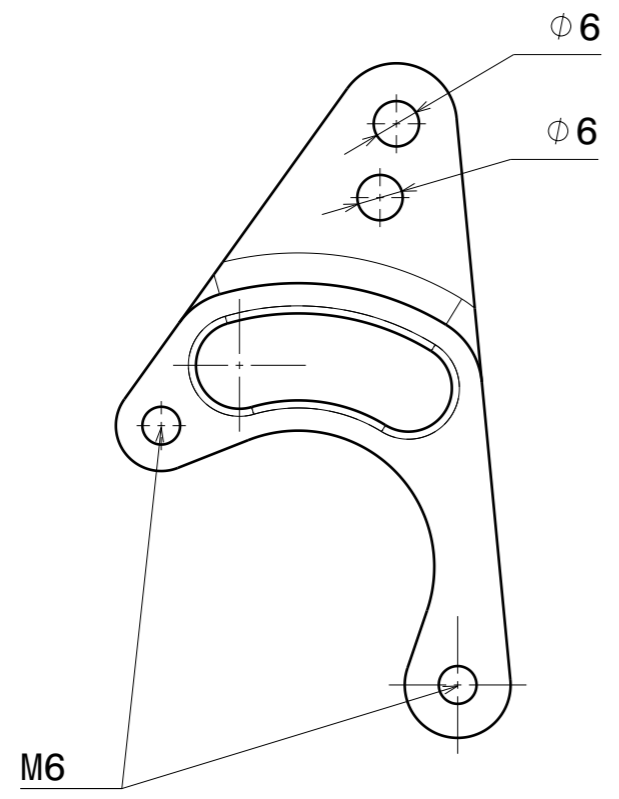
1

4

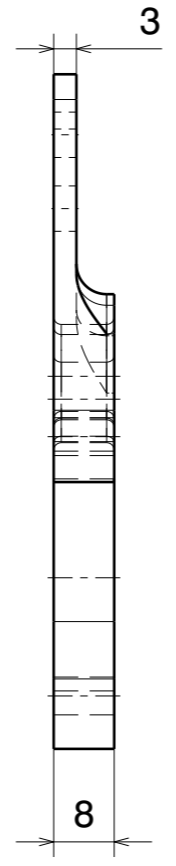
3

2

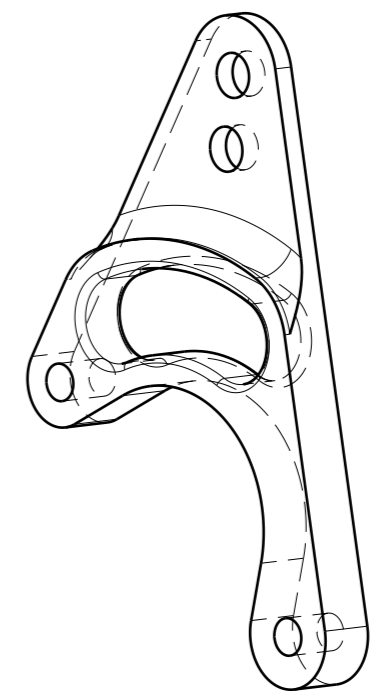
1



Vue de face
Echelle : 1:1



Vue de gauche
Echelle : 1:1



Vue isométrique
Echelle : 1:1

Matière : Aluminium
Nombre : 1

DESIGNED BY: U482888		<h1>Platine_support tige_selecteur</h1>		I	-
DATE: 08/08/2017				H	-
CHECKED BY: XXX		<h2>DASSAULT SYSTEMES</h2>		G	-
DATE: XXX				F	-
SIZE: A3		DRAWING NUMBER 9150122		E	-
SCALE: 1:1	WEIGHT (kg): 0,01			C	-
		SHEET 1/1		B	-
				A	-

This drawing is our property; it can't be reproduced or communicated without our written agreement.

H G B A