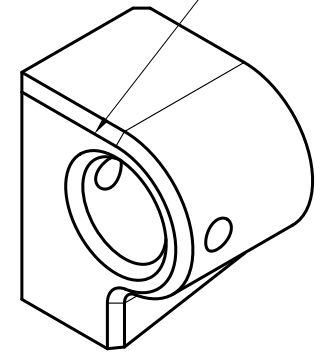


Chanfreins de 1 mm 45°



UNLESS OTHERWISE SPECIFIED, DIMENSIONS ARE IN MILLIMETERS ANGULAR = ± ° SURFACE FINISH	NAME	SIGNATURE	DATE	TITLE Plot araignée gauche ---- Quantité 1	
	DRAWN	VINCENT SERES	2017-08-05		
	CHECKED				
	APPROVED				
DO NOT SCALE DRAWING				SIZE	A4
BREAK ALL SHARP EDGES AND REMOVE BURRS				DWG NO.	----
FIRST ANGLE PROJECTION	MATERIAL	FINISH		REV.	1
	Aluminium 2017			SCALE	2:1
				WEIGHT	
				SHEET	1 of 1