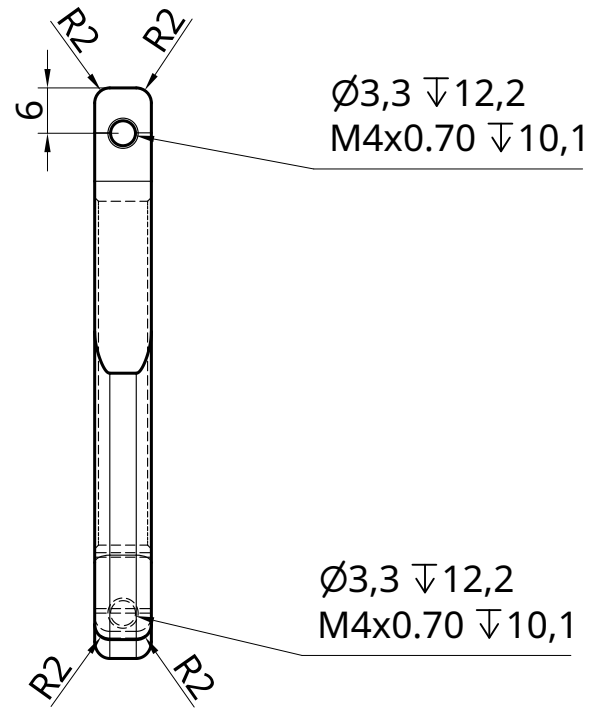
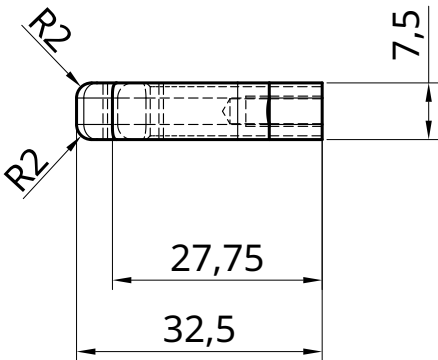


Ø6,8 THRU
M8x1.25 THRU

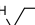



Ø3,3 ∇12,2
M4x0.70 ∇10,1

Ø3,3 ∇12,2
M4x0.70 ∇10,1



1:2

UNLESS OTHERWISE SPECIFIED, DIMENSIONS ARE IN MILLIMETERS ANGULAR = ± ° SURFACE FINISH  DO NOT SCALE DRAWING BREAK ALL SHARP EDGES AND REMOVE BURRS FIRST ANGLE PROJECTION 	NAME	SIGNATURE	DATE	TITLE Bride amortisseur direction 2/2 ---- Quantité 1
	DRAWN	VINCENT SERES	2017-08-05	
	CHECKED			
	APPROVED			
MATERIAL	FINISH		SIZE A4	DWG NO. ----
Aluminium 2017			SCALE 1:1	WEIGHT SHEET 1 of 1
				REV. -