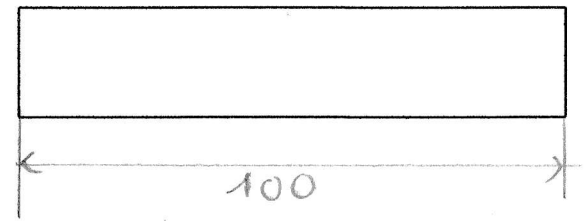
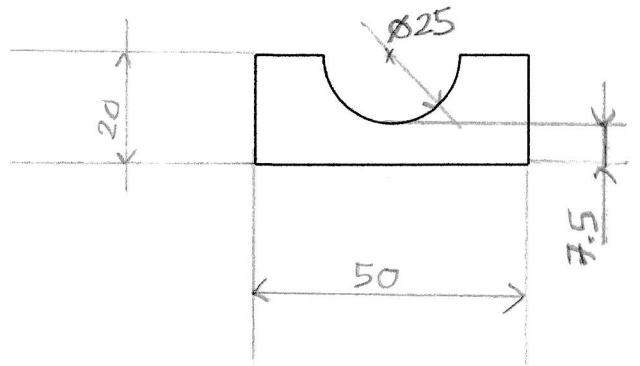
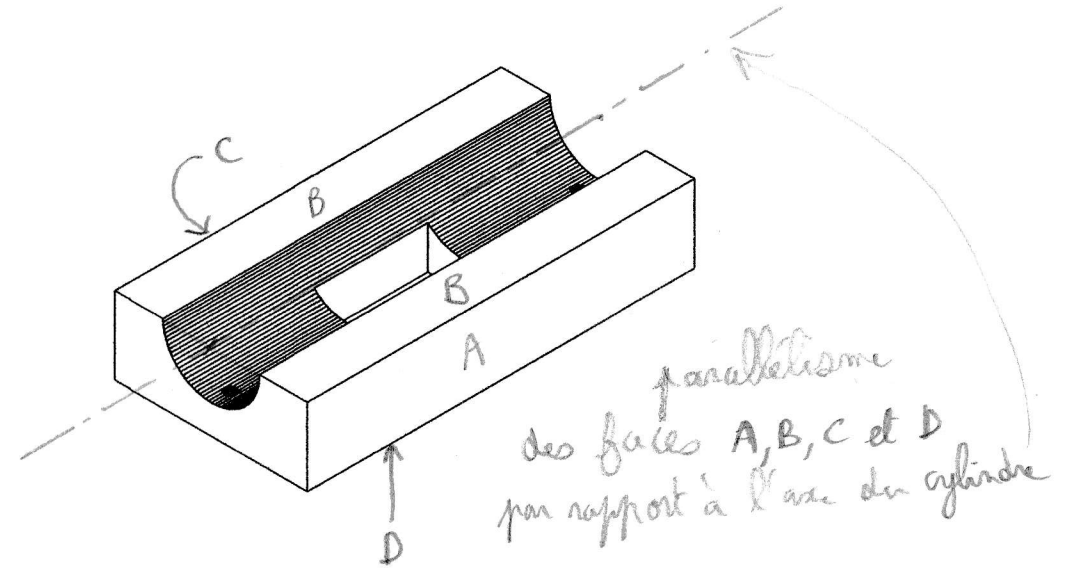
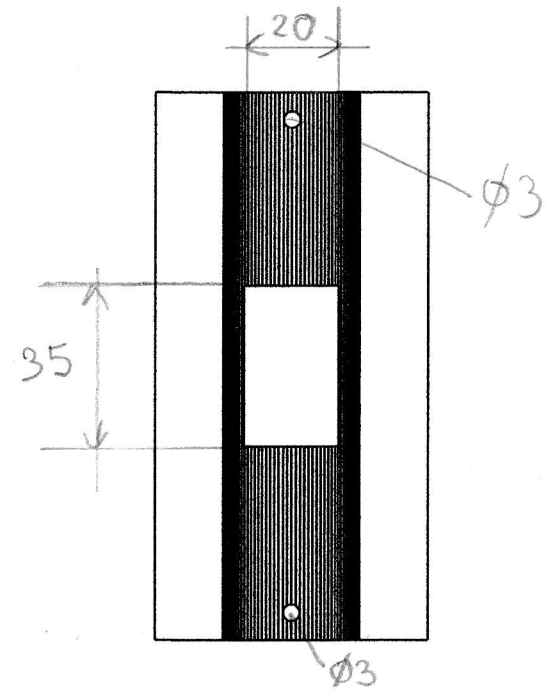


F E D C B A

4
3
2
1



DESIGNED BY: Designed by Name		Title		G	-
DATE: Date		Subtitle		F	-
SIZE A4				E	-
SCALE	WEIGHT (kg)	DRAWING NUMBER	SHEET	D	-
Scale	Weight	Drawing number	Sheet	C	-
This drawing is our property; it can't be reproduced or communicated without our written consent.				B	-
				A	-

F E D

4
3
2
1