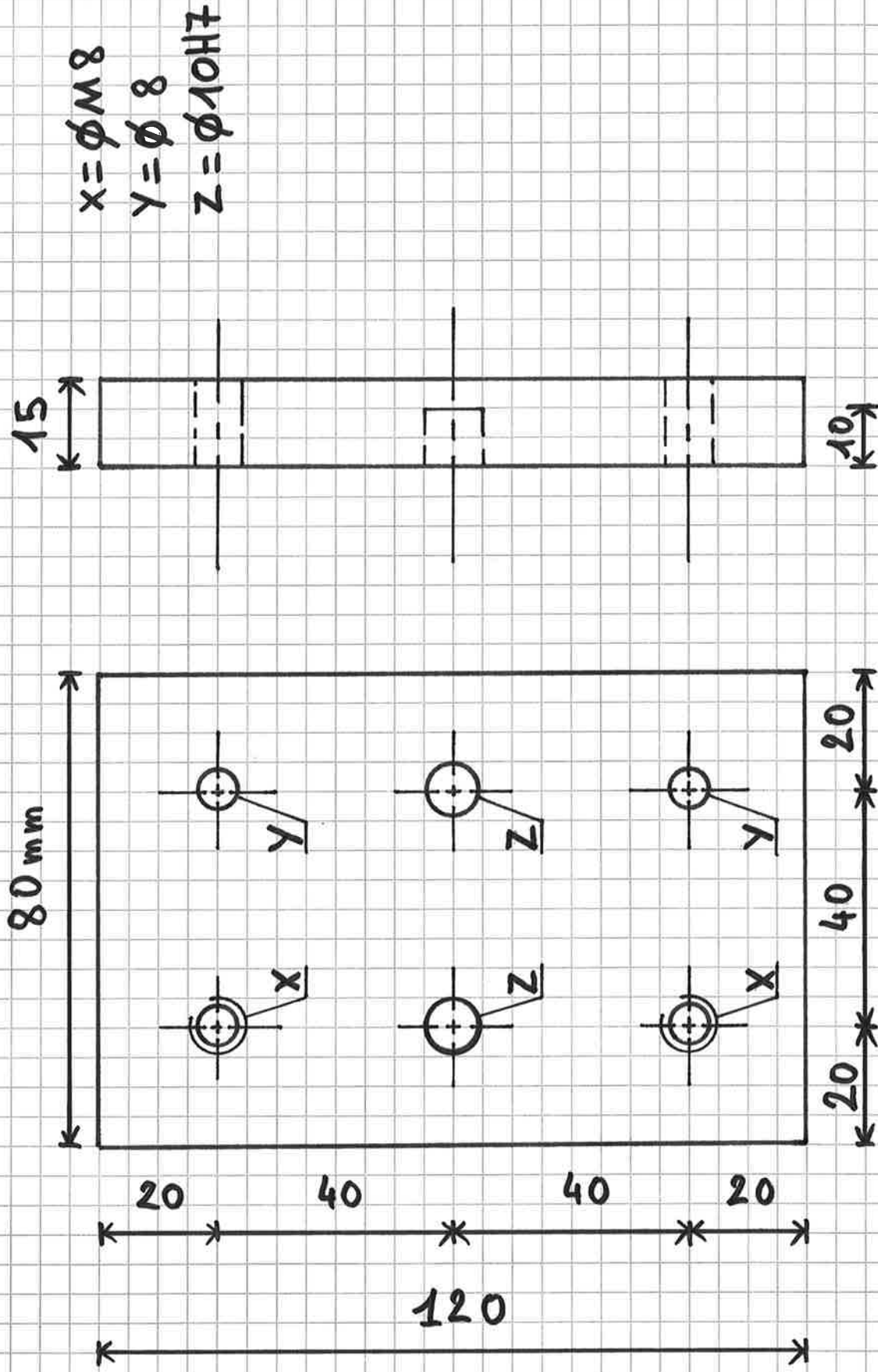
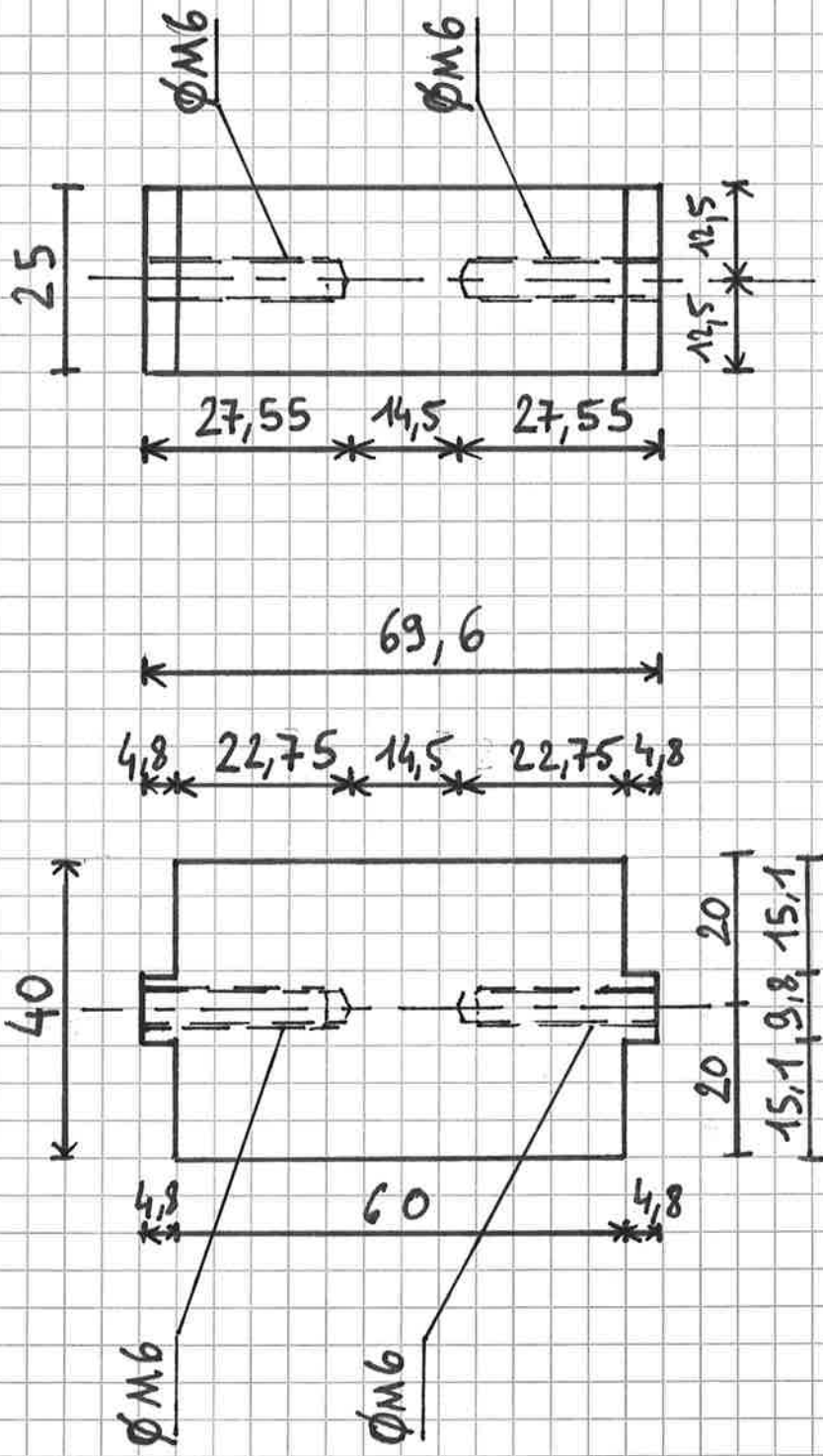


FRAME JIG

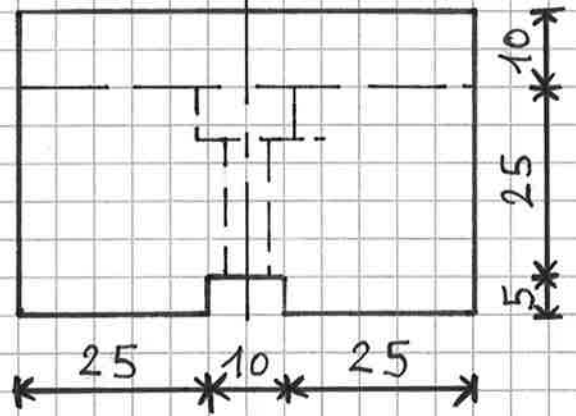
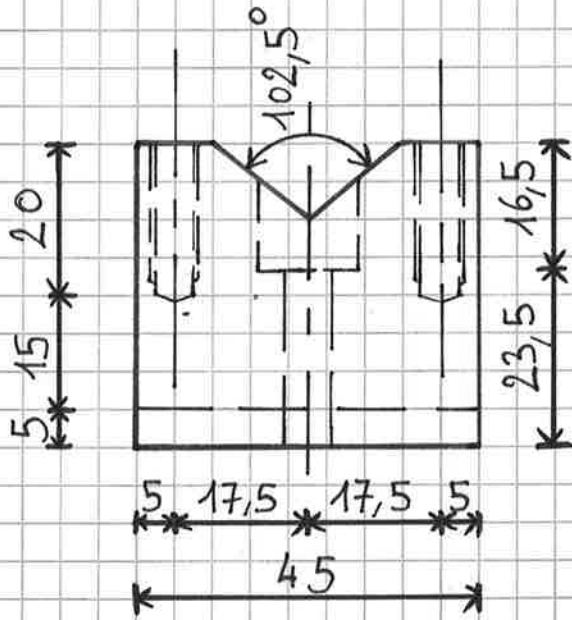
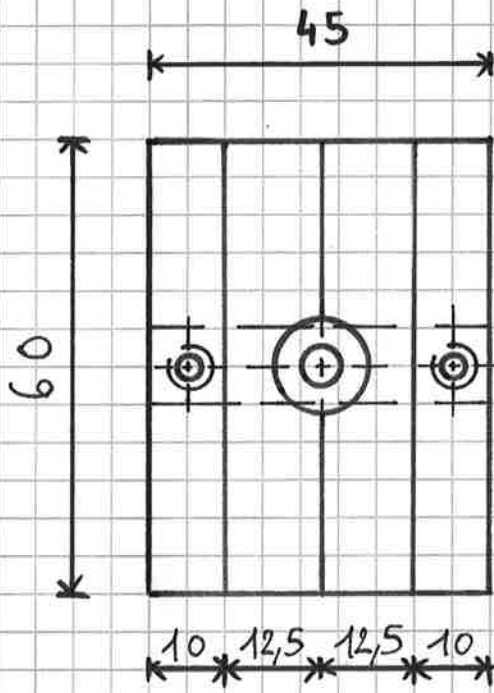
III part 1



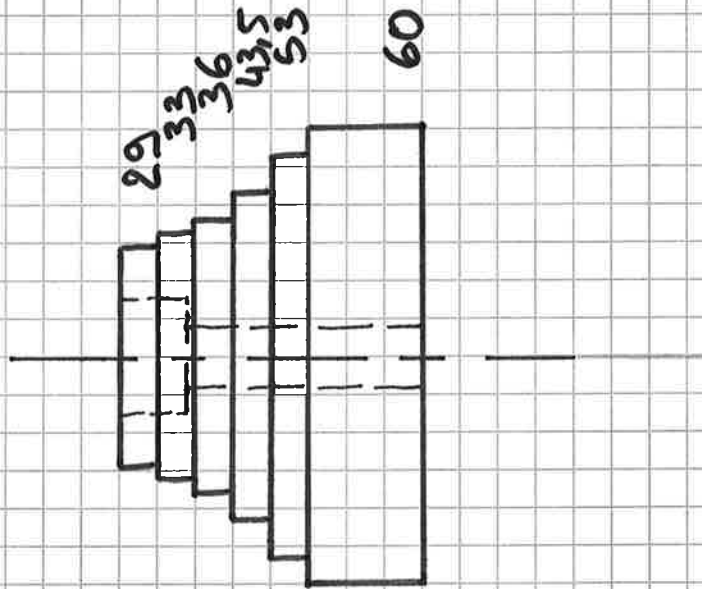
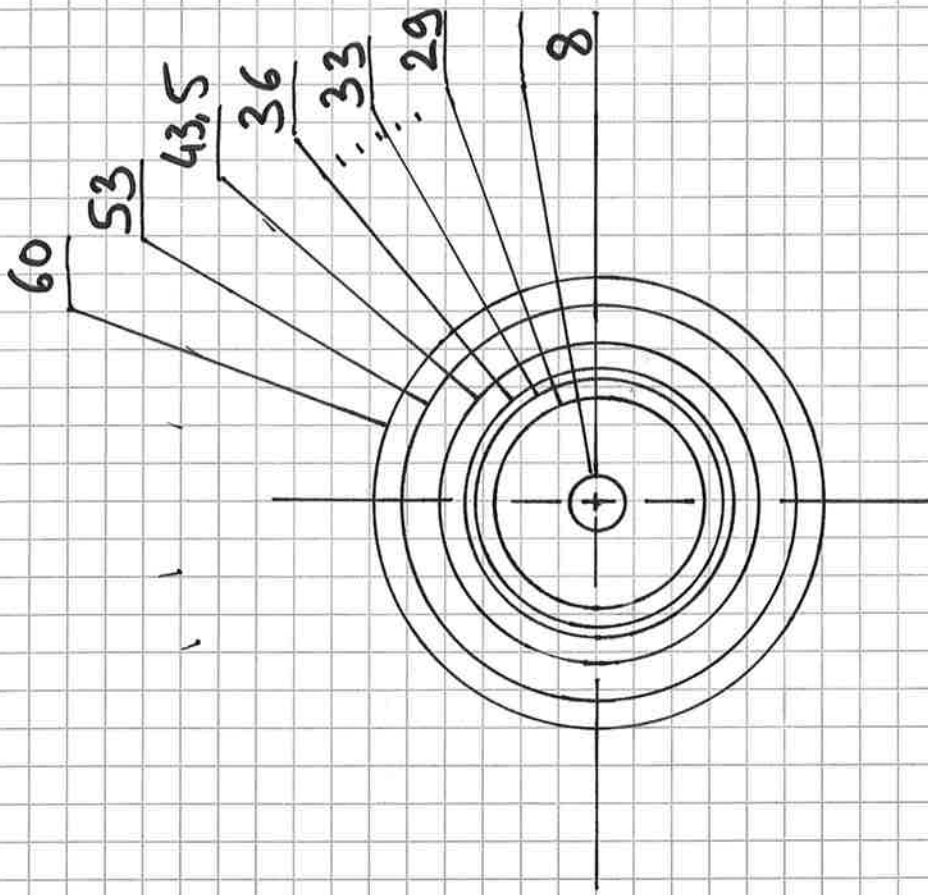
FRAME JIG III part 4



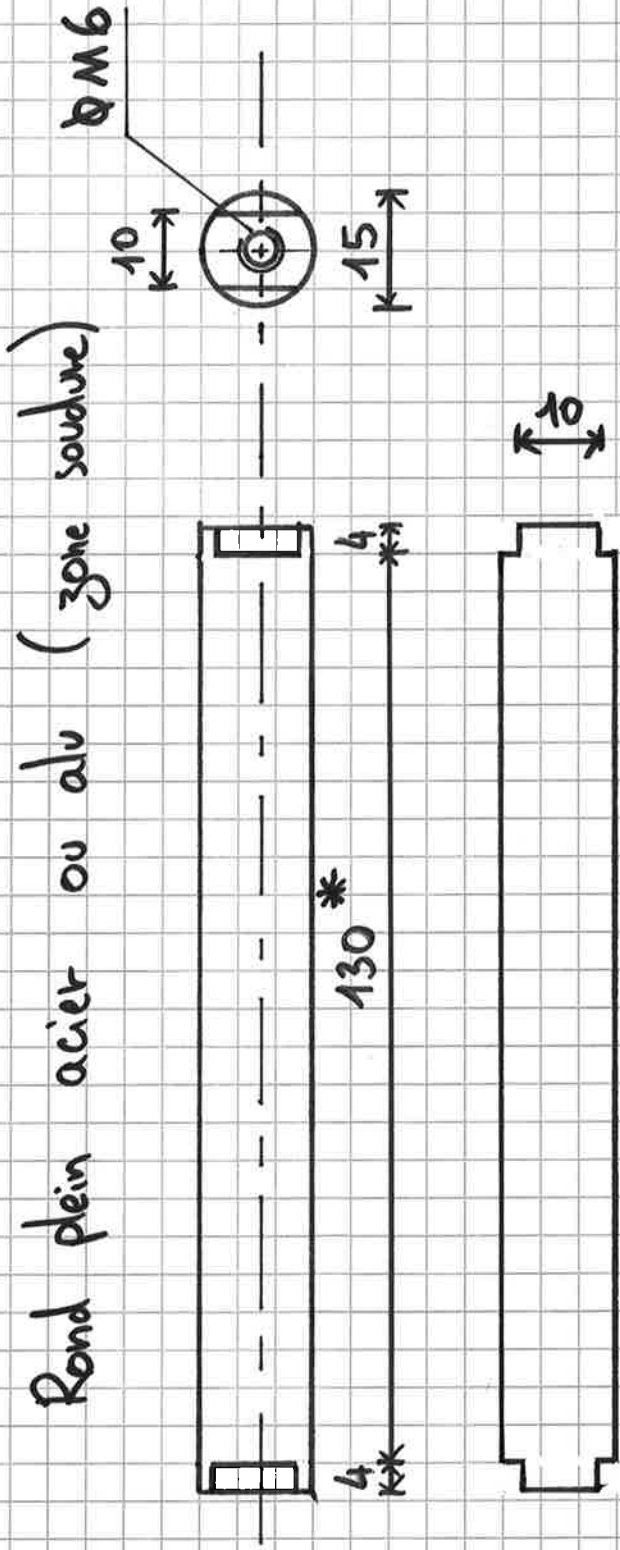
FRAME JIG III part 5



FRAME JIG II part 9



FRAME JIG III part "7" axe rove arriere



* À faire en 110, 120, 130, 135

FRAME JIG II part 9

42

