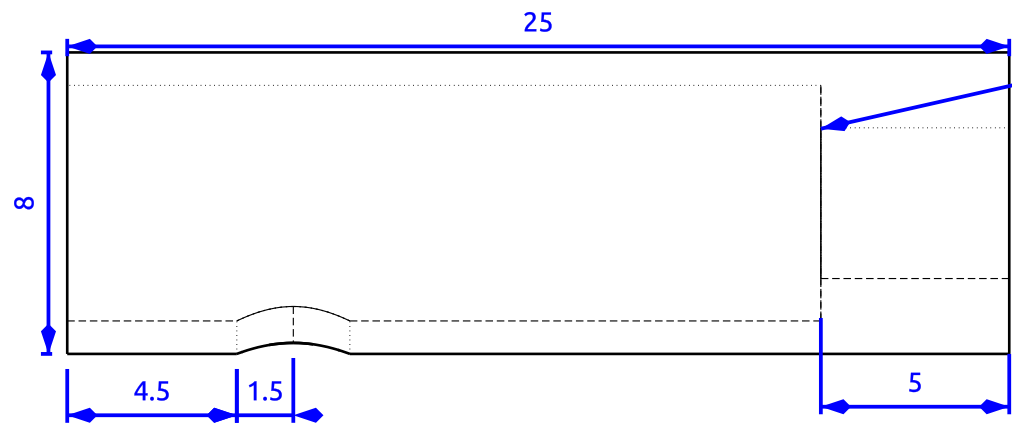


F E D C B A

4

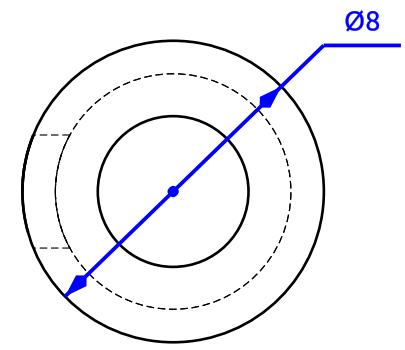
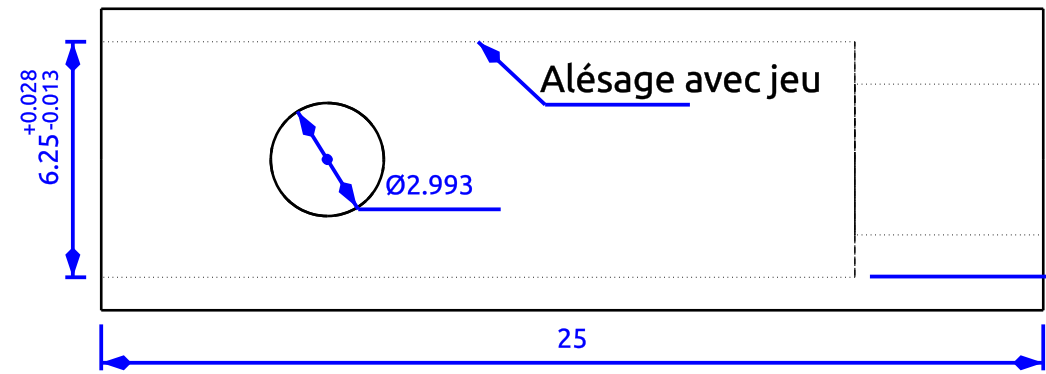
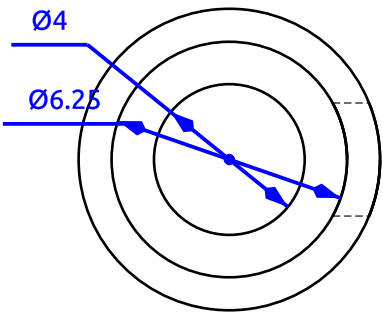
4



Finish perçage à 45°

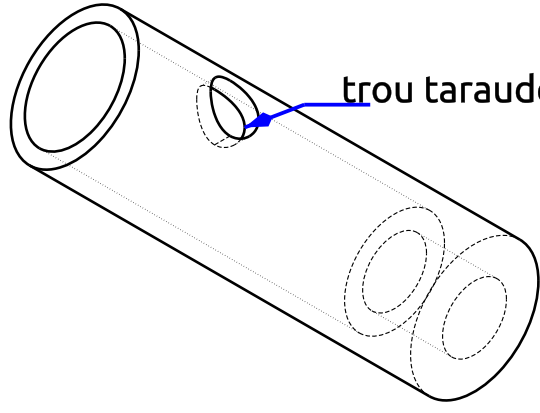
3

3



2

2



DESIGNED BY: Meriem Dhouib		A4		G	-
DATE: 07/07/2017 - 12:55:13		1Solution		F	-
SIZE A4		Pièce en acier inoxydable		E	-
SCALE cotation en-mm	WEIGHT (kg)	DRAWING NUMBER 01		D	-
			SHEET 01	C	-
This drawing is our property; it can't be reproduced or communicated without our written consent.				B	-
				A	-

F E D C B A

1

1