
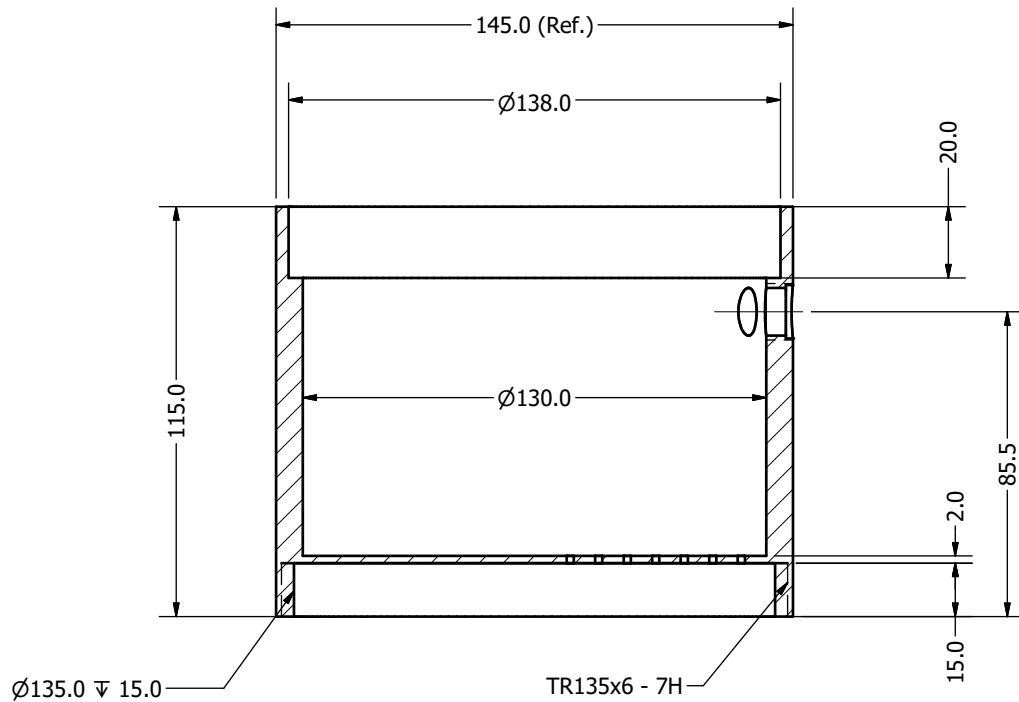


ISOMETRIC VIEW

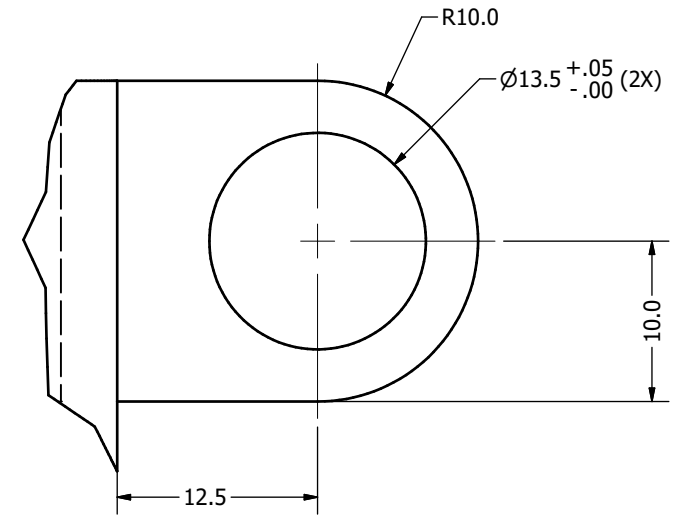
PROPRIETARY AND CONFIDENTIAL: THE INFORMATION CONTAINED HERE IN IS THE SOLE PROPERTY OF GLEN FEDER. ANY REPRODUCTION IN PART OR WHOLE WITHOUT WRITTEN PERMISSION IS PROHIBITED. (C) COPYRIGHT 2013. ALL RIGHTS RESERVED.



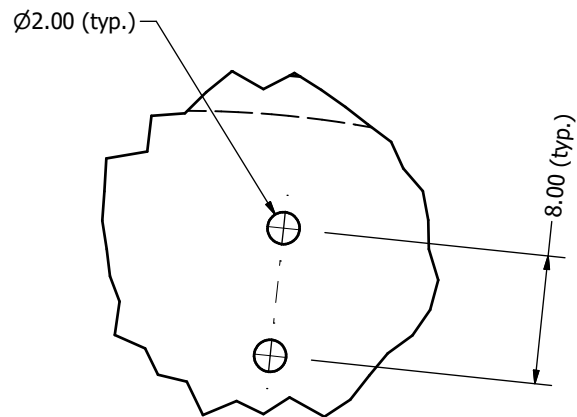
DRAWN RODOLFO PEREIRA	12/07/2017	TITLE		
CHECKED GLEN FEDER	12/07/2017			
APPROVED GLEN FEDER	12/07/2017			
WEIGHT: 2,809 kg		ALL DIMENSIONS IN MILLIMETERS, EXCEPT OTHERWISE SPECIFICATION.		
GENERAL TOLERANCES:		MATERIAL: STAINLESS STEEL AISI 304		
DECIMALS	ANGULAR	SIZE	DWG NO	
X ± .8	∠ ± 1°	A3	0088-16-10	
.X ± .25				REV
.XX ± .13				0
SCALE 1 : 1.5		SHEET 1 OF 2		



SECTION A-A



DETAIL B



DETAIL C

PROPRIETARY AND CONFIDENTIAL: THE INFORMATION CONTAINED HERE IN IS THE SOLE PROPERTY OF GLEN FEDER. ANY REPRODUCTION IN PART OR WHOLE WITHOUT WRITTEN PERMISSION IS PROHIBITED. (C) COPYRIGHT 2013. ALL RIGHTS RESERVED.



DRAWN RODOLFO PEREIRA	12/07/2017	TITLE		
CHECKED GLEN FEDER	12/07/2017			
APPROVED GLEN FEDER	12/07/2017	ALL DIMENSIONS IN MILLIMETERS, EXCEPT OTHERWISE SPECIFICATION.		
WEIGHT: 2,809 kg		MATERIAL: STAINLESS STEEL AISI 304		
GENERAL TOLERANCES:		SIZE	DWG NO	REV
DECIMALS	ANGULAR	A3	0088-16-10	0
X ± .8	∠ ± 1°			
.X ± .25				
.XX ± .13		SCALE	1 : 1.5	SHEET 2 OF 2