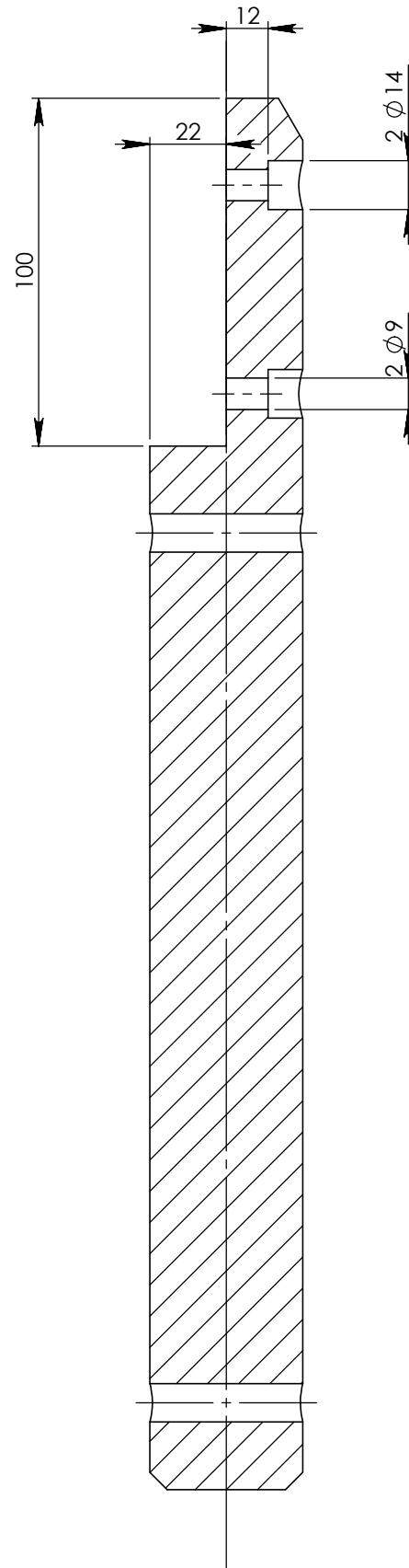
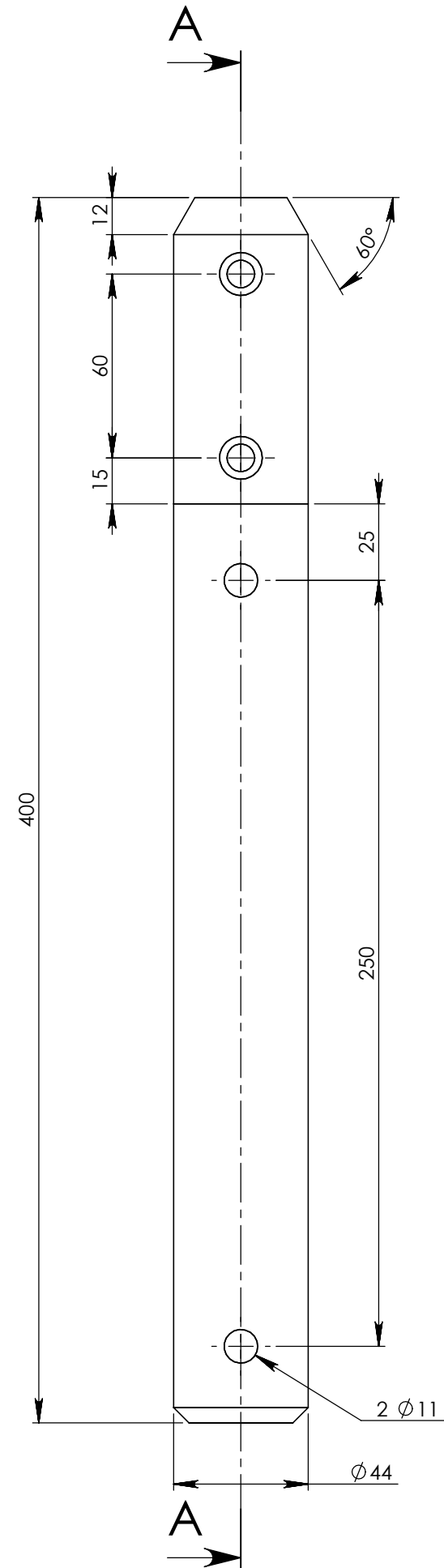
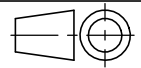


# COUPE A-A



<small>Tolérance Mécano-soudure: de 0m à 1m = ±1mm, de 1m inclus à 3m = ±1.5mm, à partir de 3m = ±2.5mm/Tolerance for welded frame: from 0m to 1m = ±1mm, from 1m included to 3m = ±1.5mm, upper 3m included = ±2.5mm          Tolérance générale d'usinage: ISO 2768-mK - Ebavurer les angles vifs - Ne pas peindre les surfaces usinées/General tolerance for machined surface: ISO2768-mK - Deburr the sharp angles - Do not paint the machined surface</small>				
Description	Echelle/Scale	<b>Mr POIGNANT Gaëtan</b> <b>26 Rue des 3 Provinces</b> <b>44190 BOUSSAY</b>		
	1:2			
<h2>ARBRE ARTICULATION</h2>				Poids Net
<b>MATIERE :</b>	<b>INOX 304 L</b>	<b>QUANTITE :</b>	<b>14</b>	4.02 Kg

