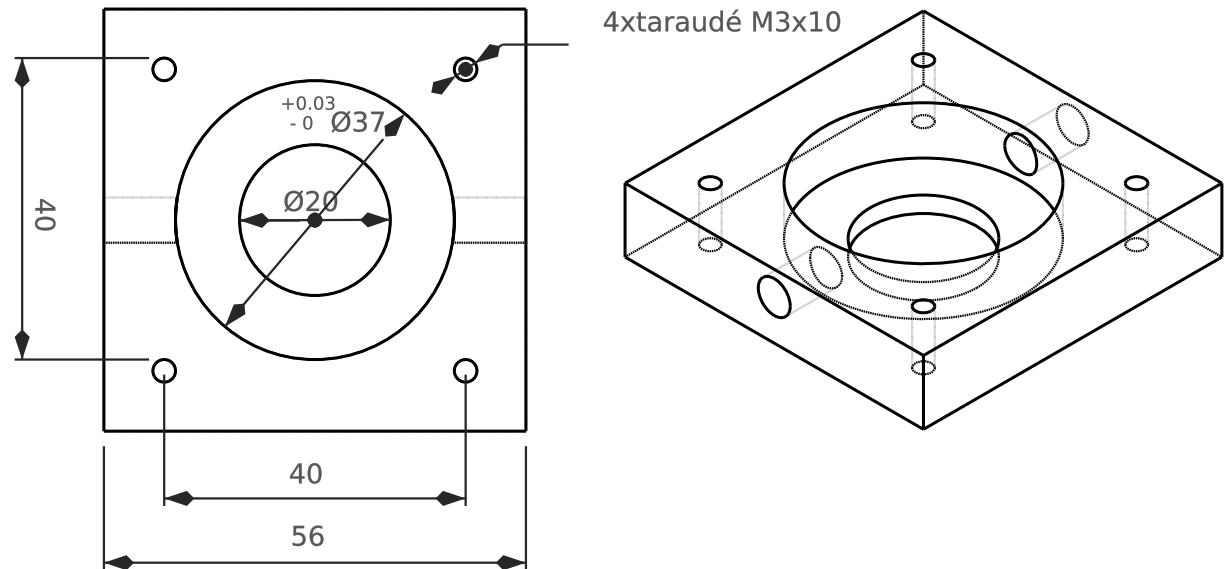


Matière: acier



| | | | | |
|---|---------------------|---|--|--------------------------|
| Responsible department 10/06/2017 | Technical reference | Created by Jean Marchadier | Approved by moi | Classification/key words |
| Legal owner moi | | Document type type | Document status | |
| | | Title, Supplementary title Carcan | Identification number Pour roulement 37x20x9 | |
| | | Rev. | Date of issue 0001 | Language/Seg./Sh |