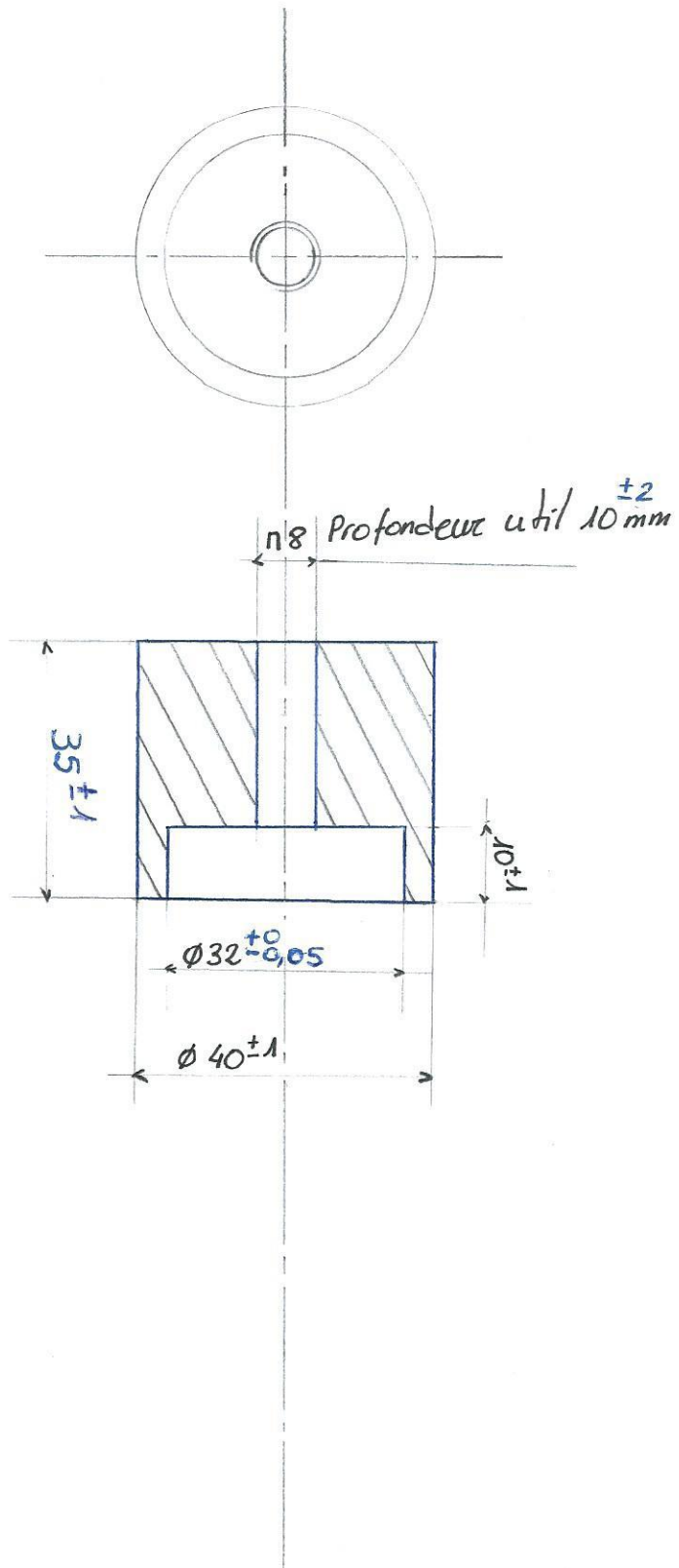


NOTICE	Aluminium
DESIGNATION	axe central



MATIERE	Aluminium
Denomination	Support axe