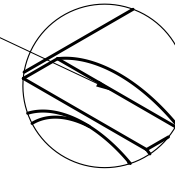
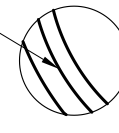


Méplat 2 mm épaisseur, 4 mm largeur

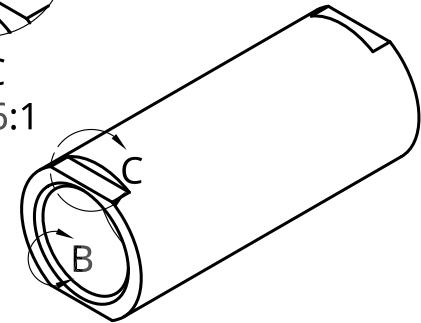




C
1.6:1

Chanfrein 1 mm 45°



B
1.6:1



UNLESS OTHERWISE SPECIFIED, DIMENSIONS ARE IN MILLIMETERS ANGULAR = \pm ° SURFACE FINISH  DO NOT SCALE DRAWING BREAK ALL SHARP EDGES AND REMOVE BURRS FIRST ANGLE PROJECTION 	NAME	SIGNATURE	DATE	TITLE Support Silentbloc support BM ---- Quantité 1
	DRAWN	VINCENT SERES	2017-06-04	
	CHECKED			
	APPROVED			
MATERIAL	FINISH		SIZE A4	DWG NO. ----
Aluminium 2017			SCALE 1:1	REV. 1
			WEIGHT	SHEET 1 of 1