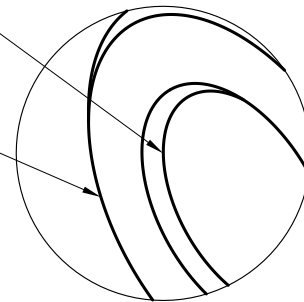
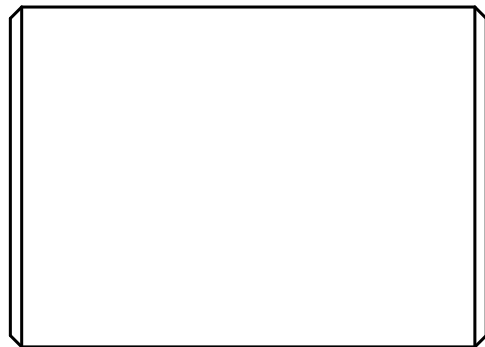
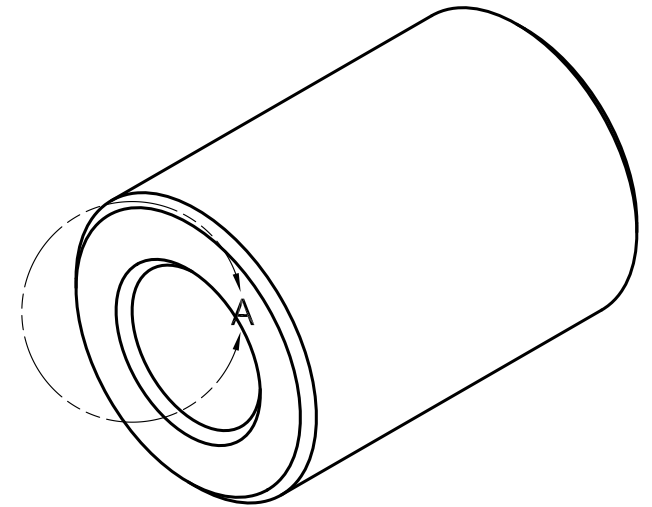



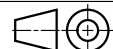
Chanfrein 0.5 mm, 45°

Chanfrein 0.5 mm, 45°



A  
4:1



UNLESS OTHERWISE SPECIFIED, DIMENSIONS ARE IN MILLIMETERS  ANGULAR = ± °  SURFACE FINISH   DO NOT SCALE DRAWING  BREAK ALL SHARP EDGES AND REMOVE BURRS  FIRST ANGLE PROJECTION  		NAME	SIGNATURE	DATE	TITLE Entretoise Amotrtrisseurs ---- Quantité 4		
	DRAWN	VINCENT SERES		2017-06-04			
	CHECKED						
	APPROVED				SIZE	DWG NO.	REV.
		MATERIAL	FINISH		A4	Amort ARR Rotule	1
	Acier XC38-42-48			SCALE	WEIGHT	SHEET	
				3:1		1 of 1	