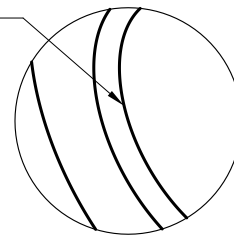
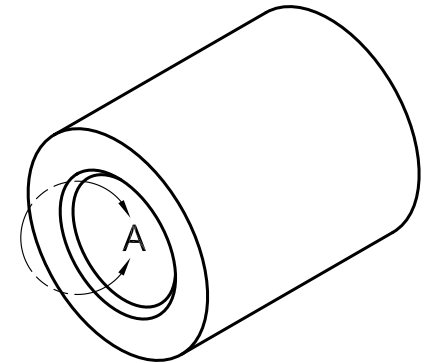

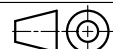


Chanfrien 0.5 mm 45°



A
4.8:1



UNLESS OTHERWISE SPECIFIED, DIMENSIONS ARE IN MILLIMETERS ANGULAR = ± ° SURFACE FINISH  DO NOT SCALE DRAWING BREAK ALL SHARP EDGES AND REMOVE BURRS FIRST ANGLE PROJECTION 		NAME	SIGNATURE	DATE	TITLE Entretoise de callage PLG bas ---- Quantité 2	
	DRAWN	VINCENT SERES		2017-06-04		
	CHECKED					
	APPROVED					
	MATERIAL	FINISH		SIZE	DWG NO.	REV.
	Aluminium 2017			A4	----	1
	SCALE	WEIGHT	SHEET		1 of 1	
	3:1					