

D

C

B

A

4

6

Vue de face  
Echelle : 3:1

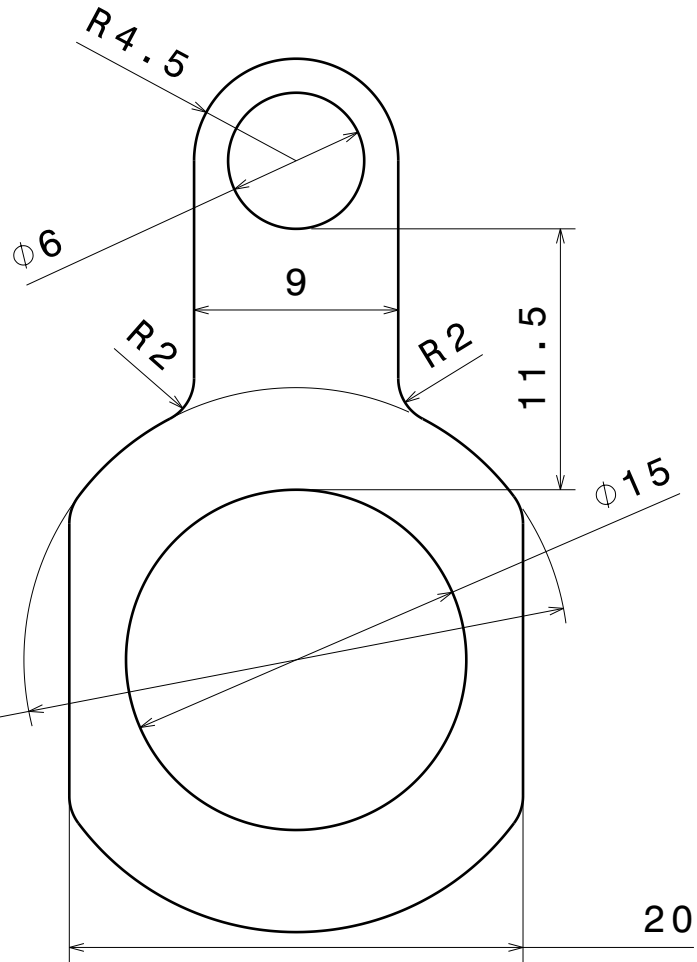
3

4

Vue de droite  
Echelle : 3:1

1

∅ 4



4

9

11.5

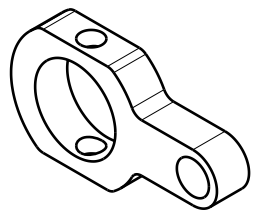
∅ 15

20

3

2

2



Vue isométrique  
Echelle : 1:1

1

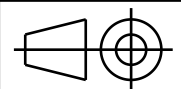
1

DESIGNED BY:  
**Godefroy FERRAND**

DATE:  
**02/06/2017**

Quantité  
**1**

SIZE  
**A4**



**PV3e ESTACA**

SCALE  
**3:1**

Matiere  
**Aluminium**

DRAWING NUMBER  
**excentrique basse**

SHEET  
**1/1**

I	-
H	-
G	-
F	-
E	-
D	-
C	-
B	-
A	-

This drawing is our property; it can't be reproduced or communicated without our written agreement.

D

A