

D C B A

4

3

2

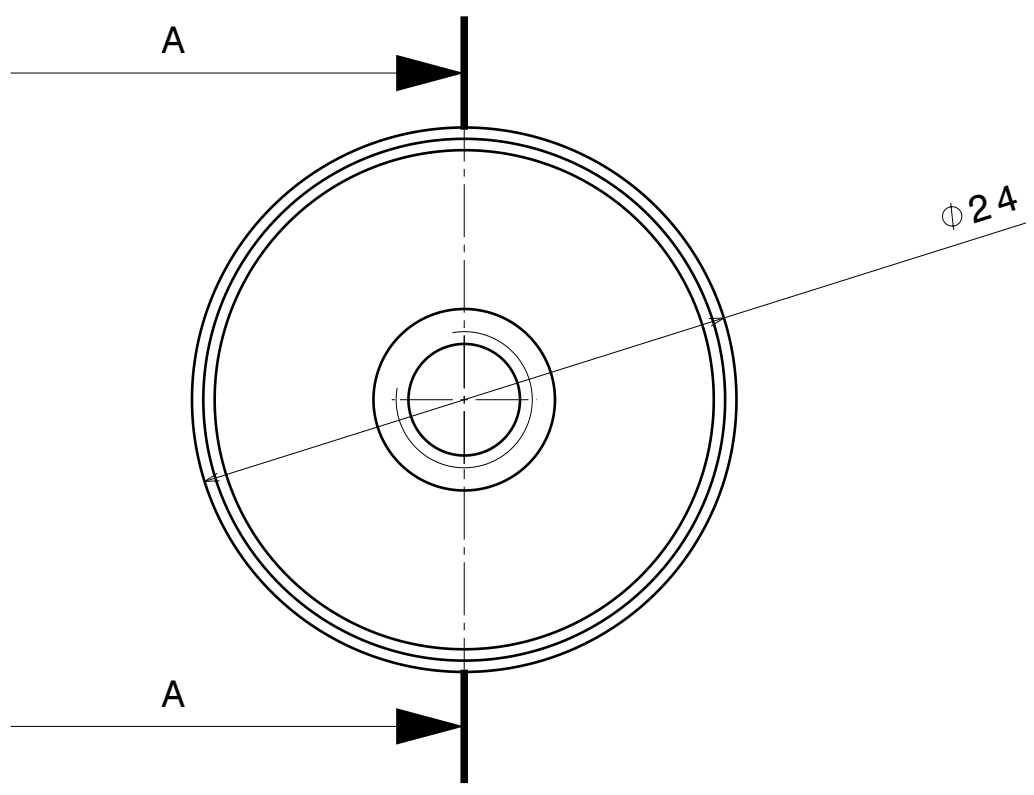
1

4

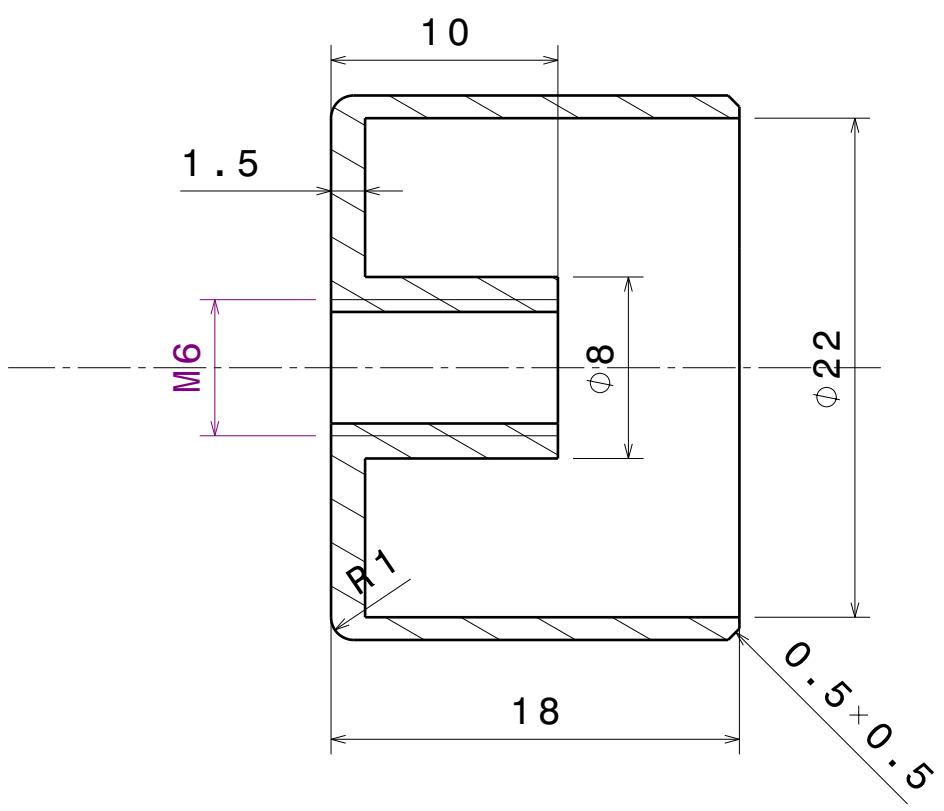
3

2

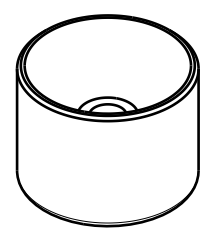
1



Vue de face
Echelle : 3:1



Coupe A-A
Echelle : 3:1



Vue isométrique
Echelle : 1:1

DESIGNED BY: Godefroy FERRAND				I	-
DATE: 02/06/2017				H	-
Quantité 2				G	-
SIZE A4		PV3e ESTACA		F	-
SCALE 3:1	Matière Aluminium	DRAWING NUMBER		E	-
		Capuchon Joystick	SHEET 1/1	D	-
This drawing is our property; it can't be reproduced or communicated without our written agreement.				C	-
				B	-
				A	-

D A