

D

C

B

A

4

4

3

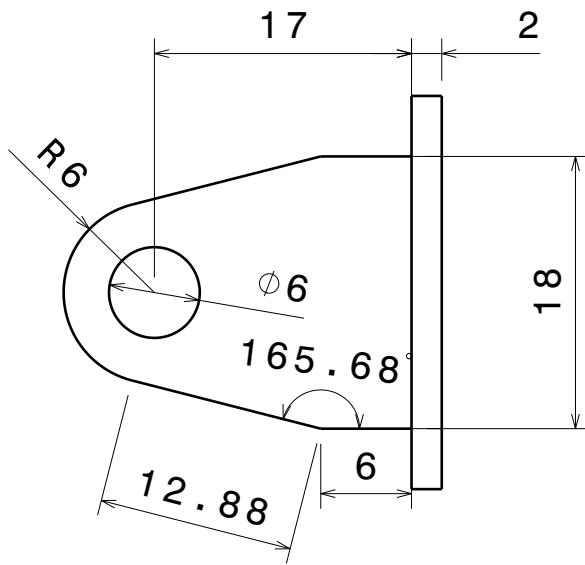
3

2

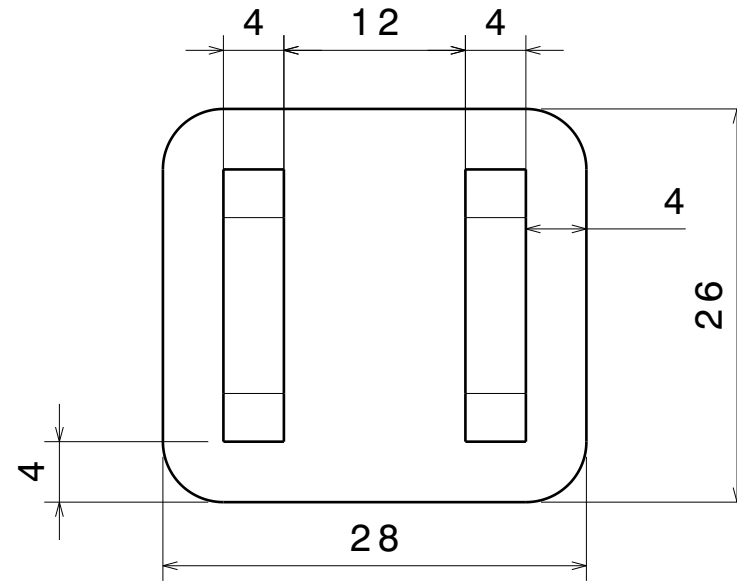
2

1

1

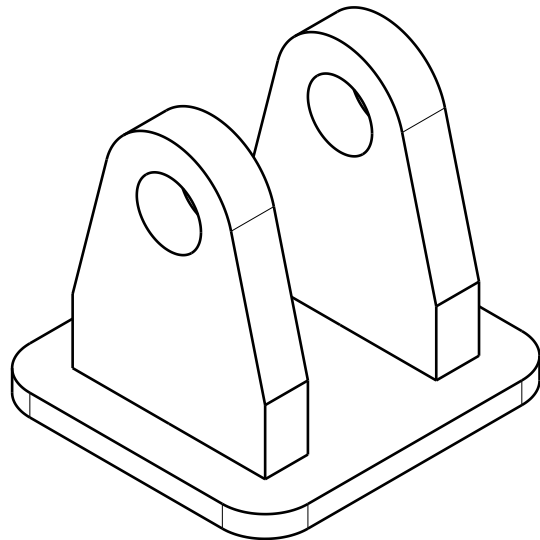


Vue de droite
Echelle : 2:1



Vue de face
Echelle : 2:1

Vue isométrique
Echelle : 2:1



DESIGNED BY: Godefroy FERRAND				I	-
DATE: 02/06/2017				H	-
Quantité 2				G	-
DATE: XXX				F	-
SIZE A4		PV3e ESTACA		E	-
SCALE 2:1	Matière Aluminium			D	-
	DRAWING NUMBER Pivot Joystick	SHEET 1/1	C	-	
This drawing is our property; it can't be reproduced or communicated without our written agreement.			B	-	
			A	-	

D

A