

D

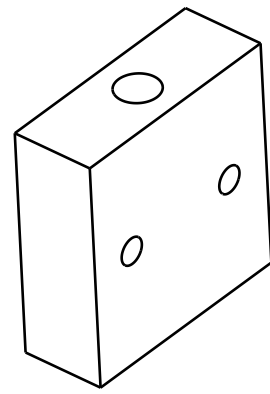
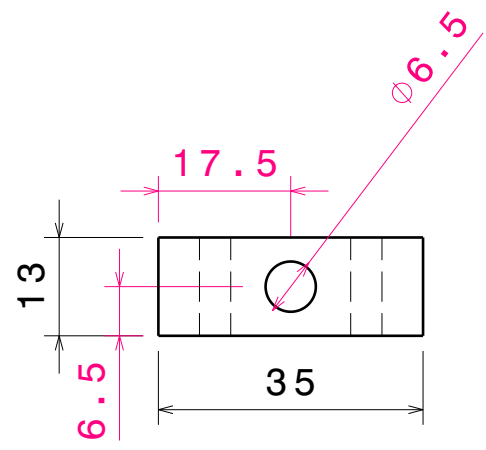
C

B

A

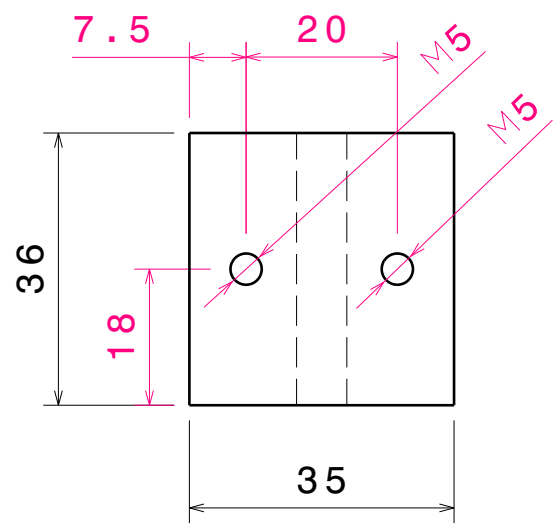
4

4



3

3



2

2

1

1

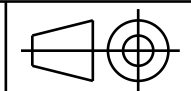
DESIGNED BY:
francis
DATE:
31/05/2017

matière : Bronze

| | |
|---|---|
| I | - |
| H | - |
| G | - |
| F | - |
| E | - |
| D | - |
| C | - |
| B | - |
| A | - |

CHECKED BY:
XXX
DATE:
XXX

SIZE
A4



volum 3 d

SCALE
1:1

WEIGHT (kg)
0,00

DRAWING NUMBER
blocZ

SHEET
1/1

This drawing is our property; it can't be reproduced or communicated without our written agreement.

D

A