

F

E

D

C

B

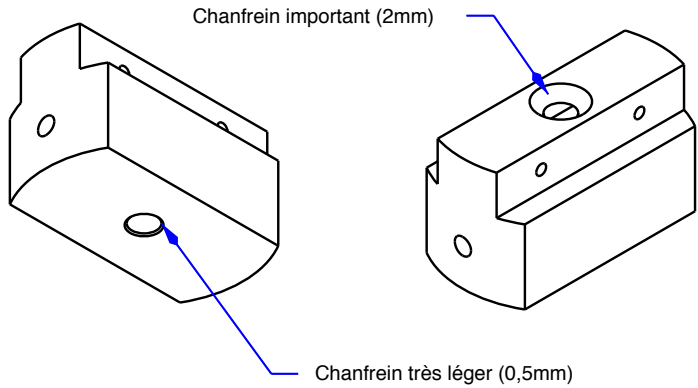
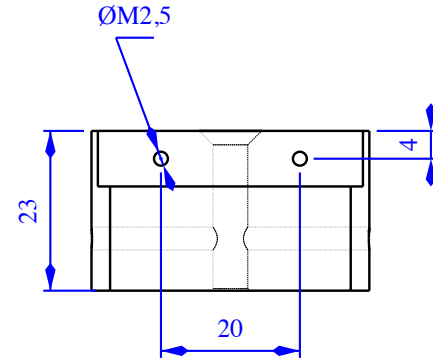
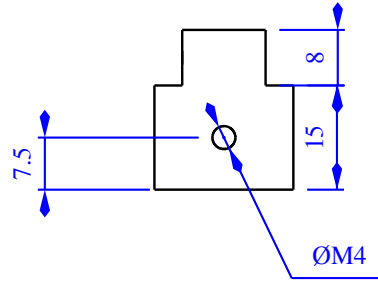
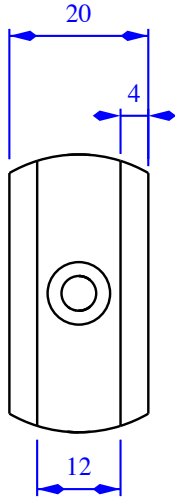
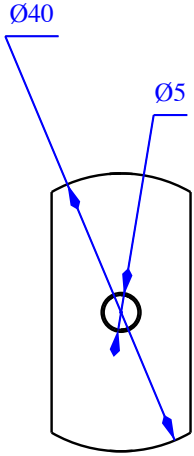
A

4

3

2

1



4

3

2

1

DESIGNED BY:  
**Mathias R**  
 DATE:  
**7 Mai 2017 -**

**Moyeu**

SIZE  
**A4**

WEIGHT (kg)

DRAWING NUMBER

SHEET

SCALE  
**Scale**

WEIGHT (kg)  
**Weight -**

DRAWING NUMBER

SHEET

This drawing is our property; it can't be reproduced or communicated without our written consent.

G	-
F	-
E	-
D	-
C	-
B	-
A	-

F

E

D