

F E D C B A

4

3

2

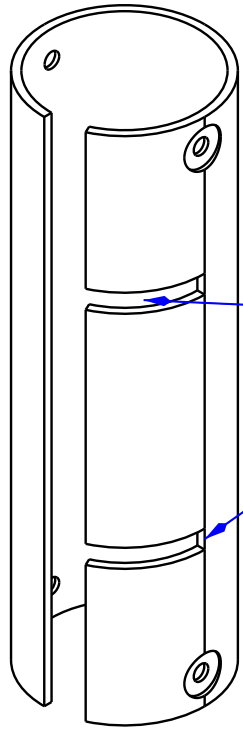
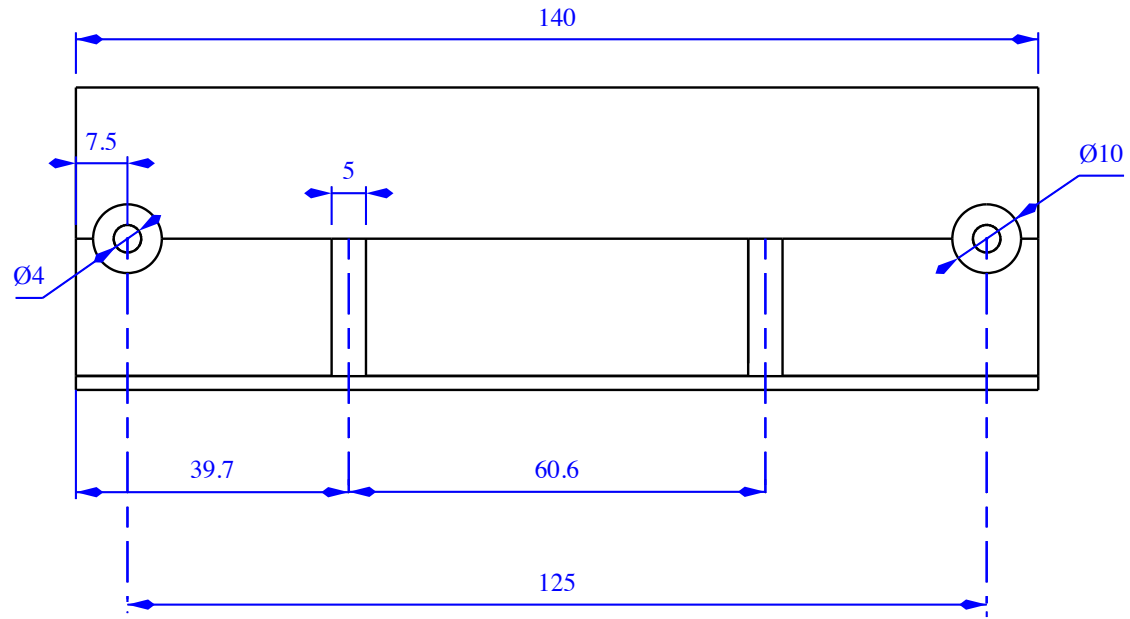
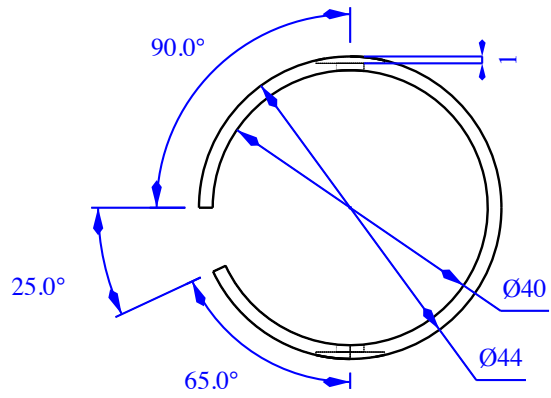
1

4

3

2

1



Attention:
 Les deux rainures sont sur l'arc de 65°.
 Le début des rainures peut être rond.

DESIGNED BY: Mathias R		Tube		G	-
DATE: 7 mai 2017 -		V1		F	-
SIZE A4				E	-
SCALE 1:1	WEIGHT (kg) -	DRAWING NUMBER	SHEET	D	-
				C	-
				B	-
				A	-

This drawing is our property; it can't be reproduced or communicated without our written consent.

F E D