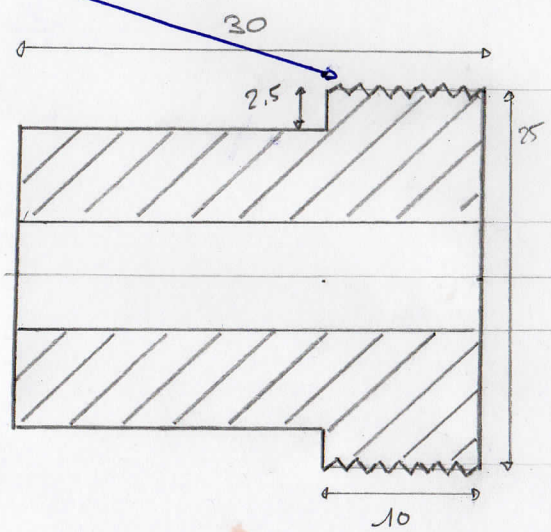


PIECE 1

FILETAGE



PIECE 2

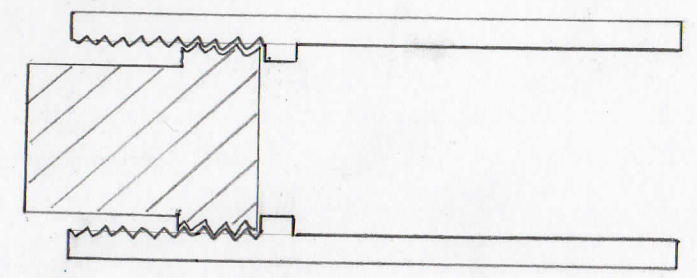
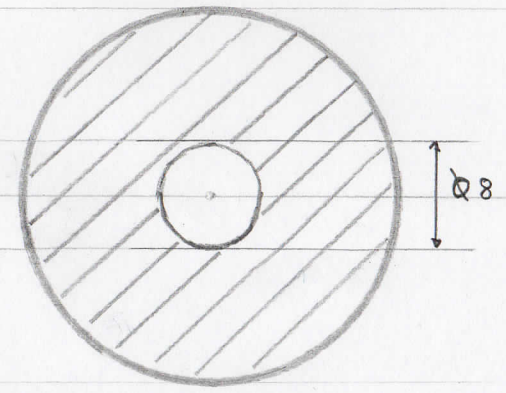


Figure A