

UNF 10-32

NPT 1/8-27

0.5 45.0°

17

8.5

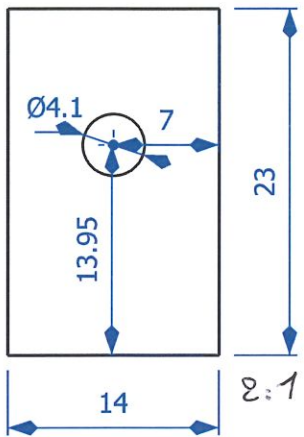
7

UNF 10-32

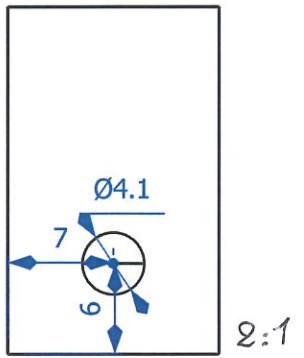
14

Coupe

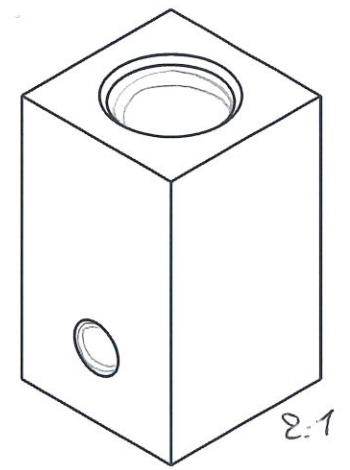
5:1




Gauche



Droite



Axonométrique

DESIGNED BY: Designed by Name		Piège à Bulle 7		G	-
DATE: 21/04/2017		Taraudé		F	-
SIZE A4				E	-
SCALE	WEIGHT (kg)	DRAWING NUMBER		D	-
Scale	Weight	Drawing number		C	-
			SHEET	B	-
			Sheet	A	-
This drawing is our property; it can't be reproduced or communicated without our written consent.					