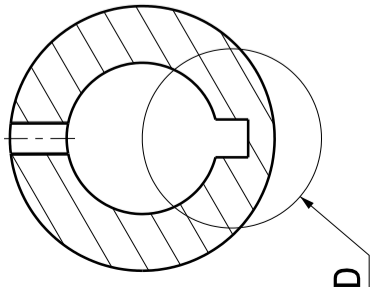
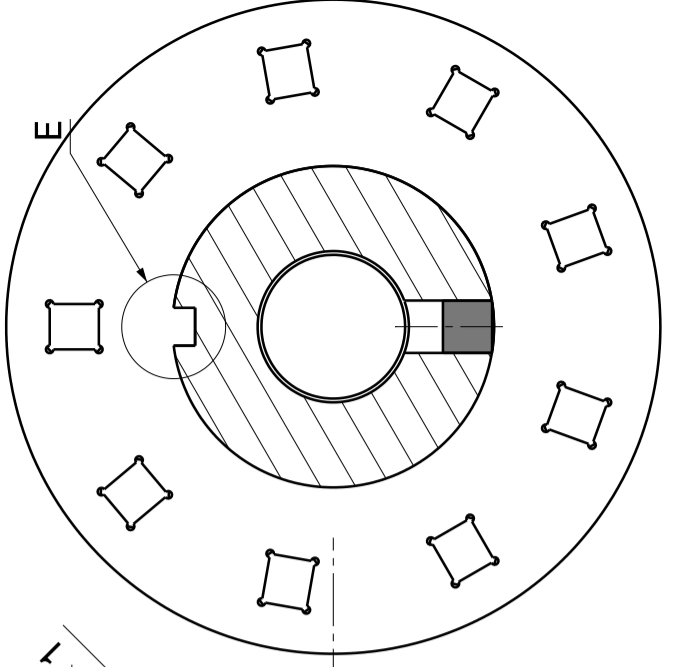


Détail E
Echelle : 1:1

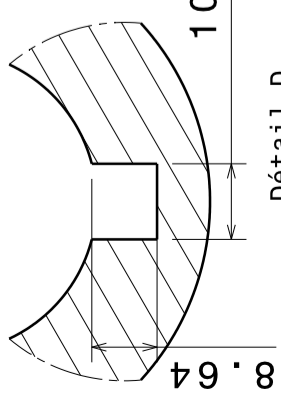
Coupe B-B
Echelle : 1:2



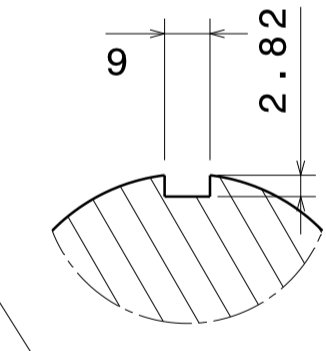
Coupe C-C
Echelle : 1:2



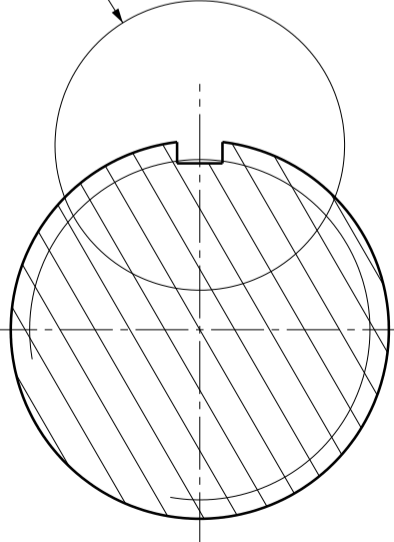
Détail D
Echelle : 1:1



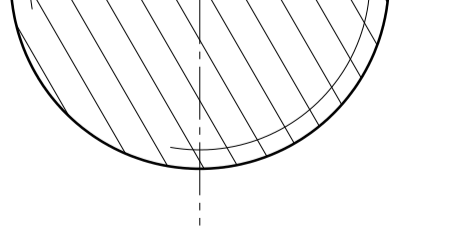
Coupe A-A
Echelle : 1:1



Détail I
Echelle : 1:1



Coupe G-G
Echelle : 1:1



DESIGNED BY: Jacquet Jules	DATE: 14/04/2017	CHECKED BY: XXX	DATE: XXX	SIZE A3	SCALE 1:1	WEIGHT (kg) 1,09	DRAWING NUMBER Saintonge Rectification 17	SHEET 1/2
Assemblage mecanosoudé				1:1		Assemblage mecanosoudé		1/2
This drawing is our property; it can't be reproduced or communicated without our written agreement.								

Arbre de transmission

Saintonge Rectification 17

Assemblage mecanosoudé

1:1

1/2

This drawing is our property; it can't be reproduced or communicated without our written agreement.