

F E D C B A

4

3

2

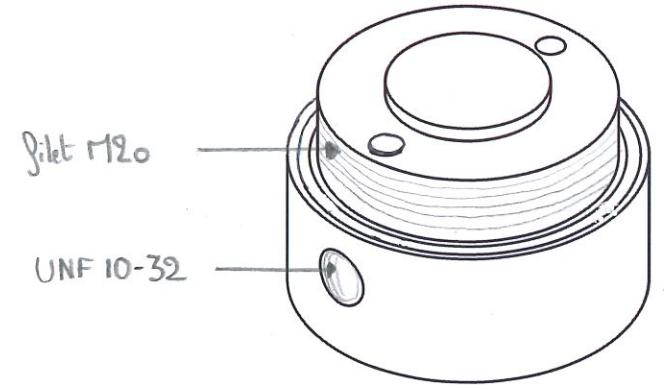
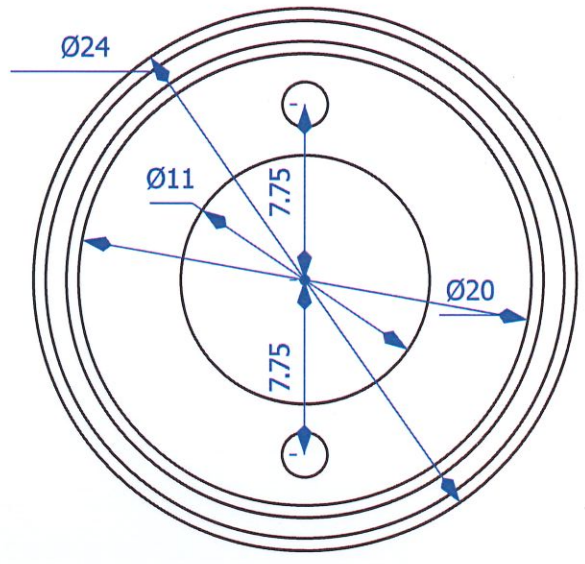
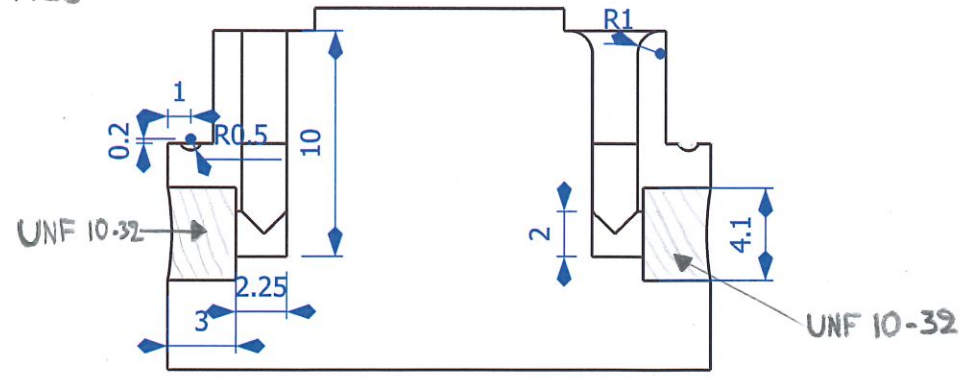
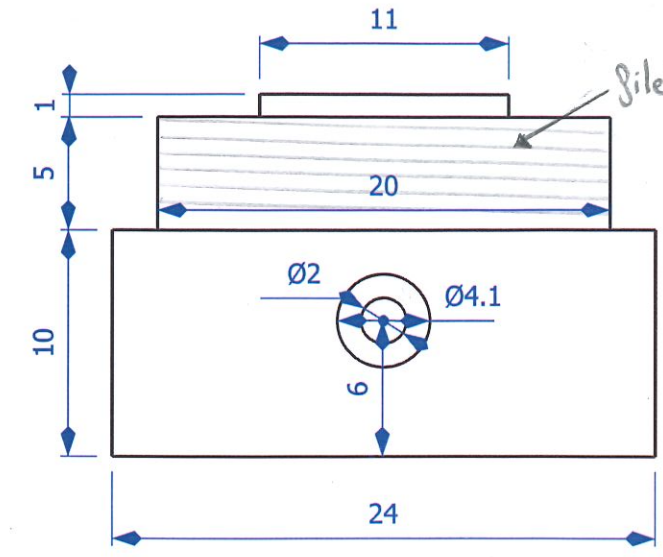
1

4

3

2

1



DESIGNED BY: Designed by Name		Title <i>Base tarație</i>		G	-
DATE: Date <i>13/09/2017</i>		Subtitle		F	-
SIZE A4				E	-
SCALE Scale <i>3</i>	WEIGHT (kg) Weight	DRAWING NUMBER Drawing number <i>1</i>	SHEET Sheet <i>1</i>	D	-
This drawing is our property; it can't be reproduced or communicated without our written consent.				C	-
				B	-
				A	-

F E D