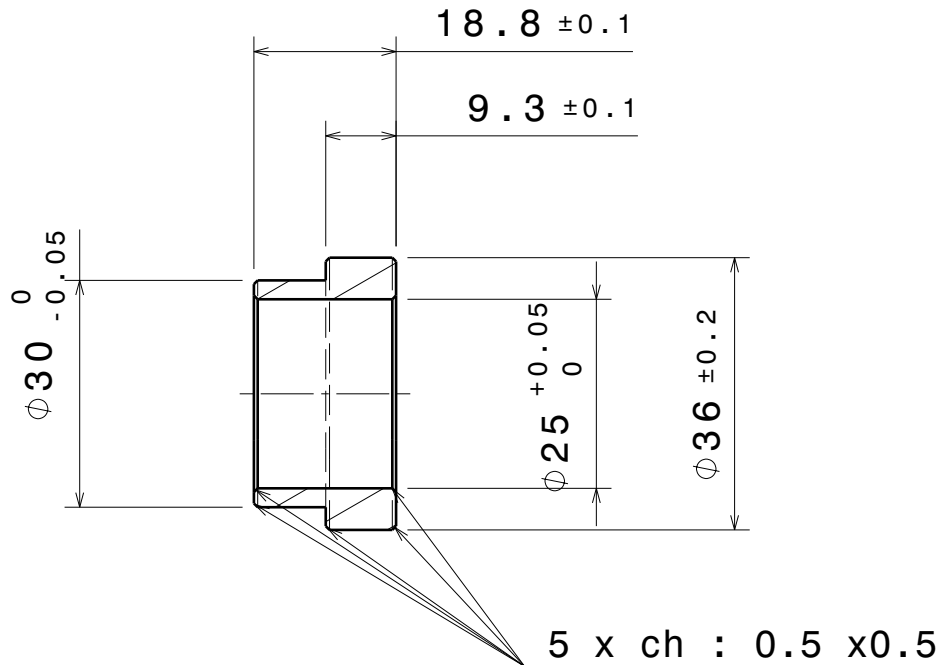


Vue de face
Echelle : 1:1

Matière : aluminium (2017 - ou autre)
Nombre : 1



Coupe A-A
Echelle : 1:1

DESIGNED BY: U482888		<h1>Entretoise_roue_av_G</h1>		I	-
DATE: 27/07/2016				H	-
CHECKED BY: DPIVERT		DASSAULT SYSTEMES		G	-
DATE: 27/07/2016				F	-
SIZE A4		DASSAULT SYSTEMES		E	-
SCALE 1:1	WEIGHT (kg) 0,00			DRAWING NUMBER 9150018	SHEET 1/1
This drawing is our property; it can't be reproduced or communicated without our written agreement.				C	-
				B	-
				A	-