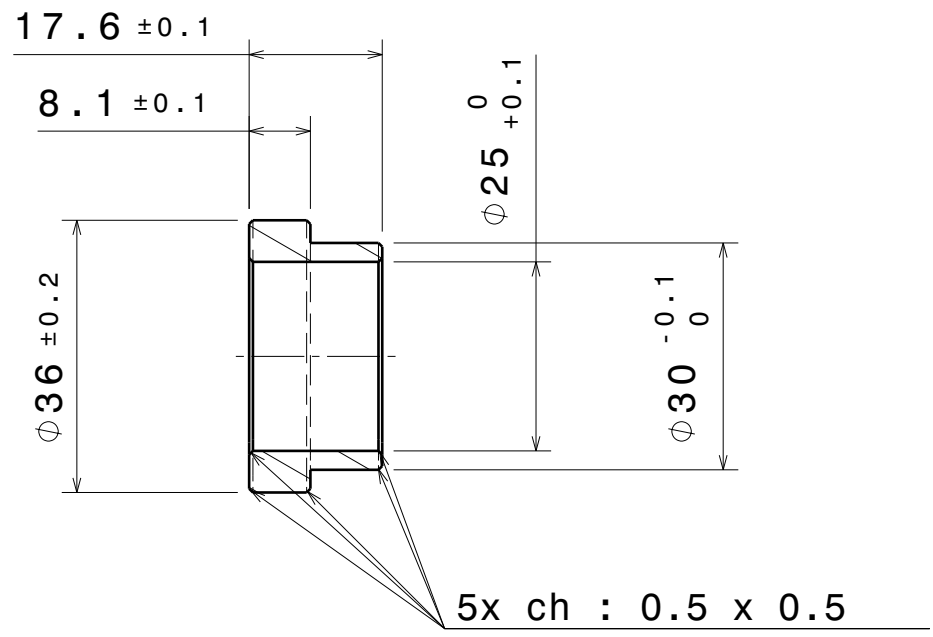


Vue de face
Echelle : 1:1



Coupe A-A
Echelle : 1:1

Matière : Aluminium (2017 ou autre)
Nombre : 1

DESIGNED BY: U482888		<h1>Entretoise_roue_av_D</h1>		I	-
DATE: 27/07/2016				H	-
CHECKED BY: DPIVERT		DASSAULT SYSTEMES		G	-
DATE: 27/07/16				F	-
SIZE A4		DASSAULT SYSTEMES		E	-
SCALE 1:1	WEIGHT (kg) 0,01			D	-
DRAWING NUMBER 9150019		SHEET 1/1		C	-
This drawing is our property; it can't be reproduced or communicated without our written agreement.				B	-
				A	-

D

A