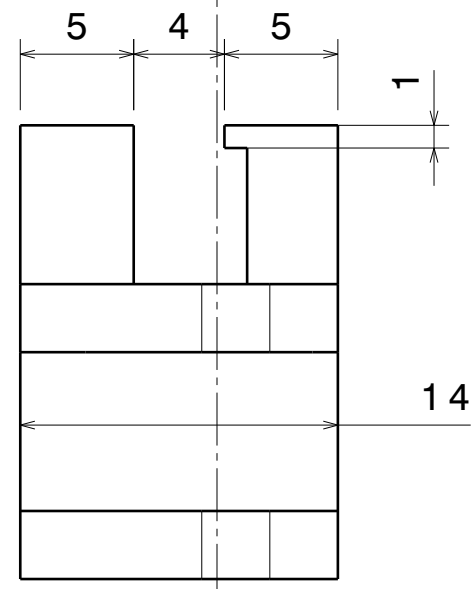
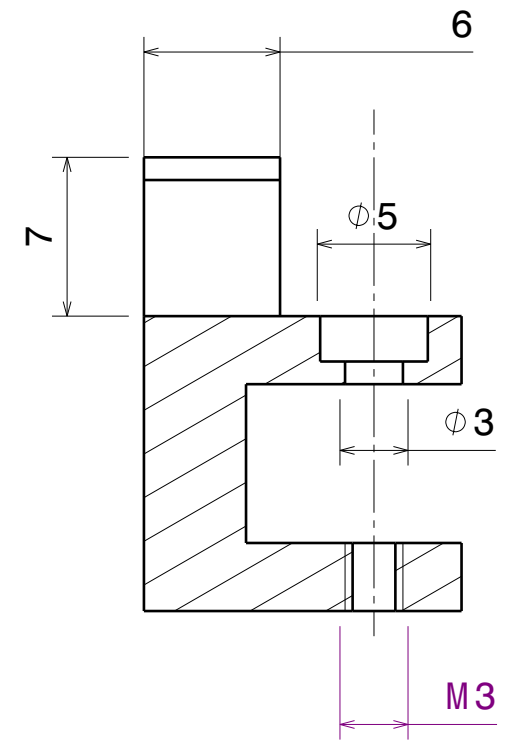


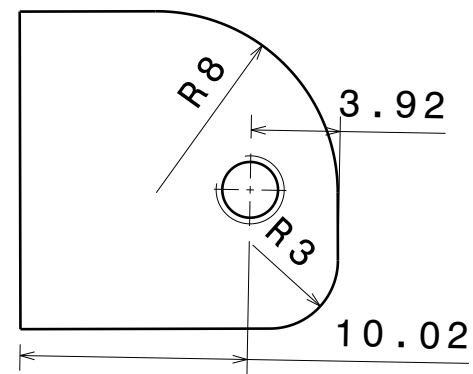
Vue de coté
Echelle : 3:1



Vue de face
Echelle : 3:1



Coupe A-A
Echelle : 3:1



Vue de dessous
Echelle : 3:1

| | | | | | |
|---|-------------------------|--------------------|--|--|---------------------|
| DESIGNED BY: Godefroy FERRAND | | | | I | - |
| DATE: 02/04/2017 | | | | H | - |
| CHECKED BY: XXX | | | | G | - |
| DATE: XXX | | | | F | - |
| SIZE A4 | | PV3e ESTACA | | E | - |
| SCALE 3:1 | Matière ACIER | | | DRAWING NUMBER Support de cable de frein | SHEET 1/1 |
| This drawing is our property; it can't be reproduced or communicated without our written agreement. | | | | C | - |
| | | | | B | - |
| | | | | A | - |