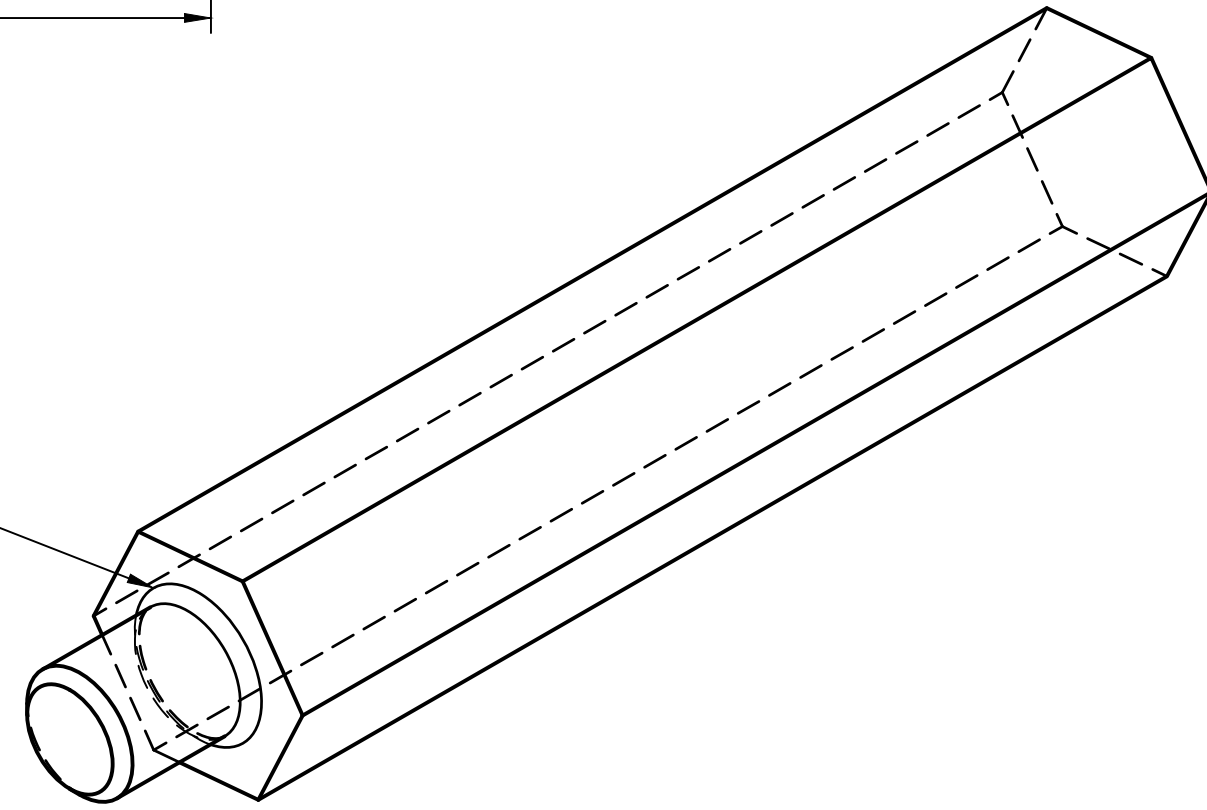


Rayon congé 1



Matière : INOX 304 ou 316

Dept.	Technical reference	Created by Dominique CAYRON 13/03/2017	Approved by	
		Document type	Document status	
		Title AXE HEXAGONAL SUPPORT BOITIER MESURE	DWG No.	
		Rev.	Date of issue	Sheet 1/1