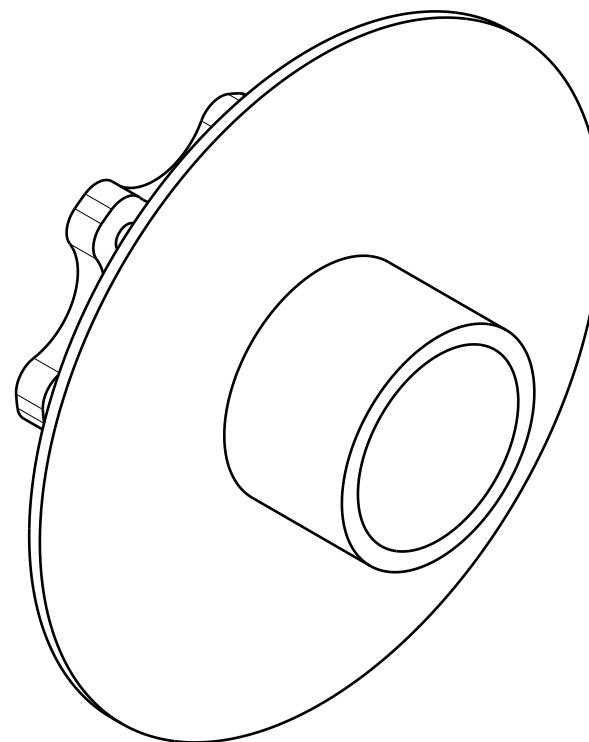
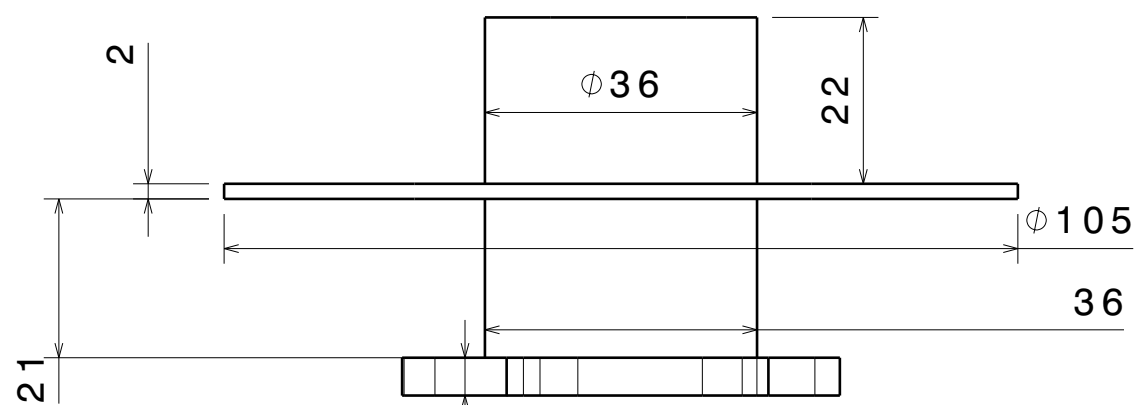


Vue de dessous  
Echelle : 1:1



Vue isométrique  
Echelle : 1:1



Vue de face  
Echelle : 1:1

DESIGNED BY: <b>FERRAND Godefroy</b>		<b>Moyeux pour frein</b>		I	-
DATE: 05/03/2017				H	-
CHECKED BY: XXX		PV3e		G	-
DATE:				F	-
SIZE: <b>A3</b>		1 / Prototype		E	-
SCALE: <b>1:1</b>	Matière: Aluminium			C	-
		Quantité:		B	-
				A	-
SHEET <b>1 / 1</b>					

This drawing is our property; it can't be reproduced or communicated without our written agreement.