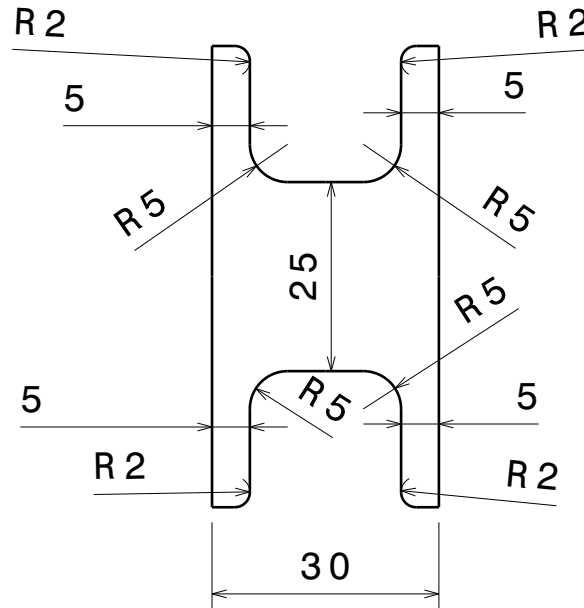
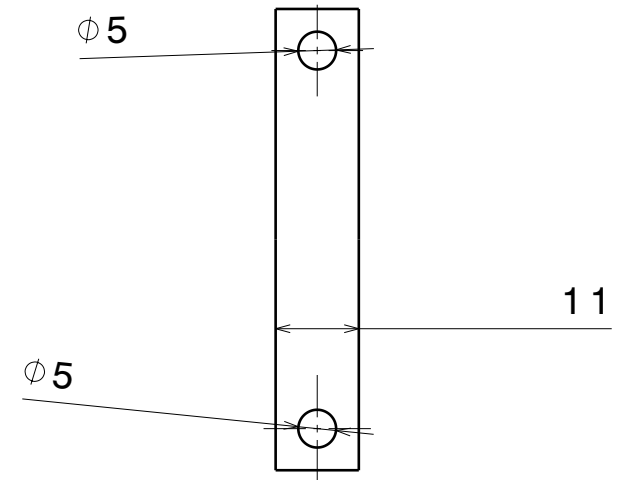


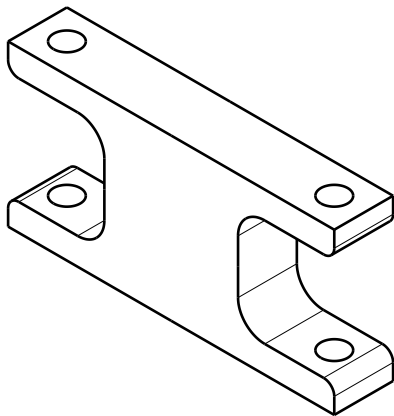
Vue de face
Echelle : 1:1




Vue de gauche
Echelle : 1:1



Vue de derrière
Echelle : 1:1



Vue isométrique
Echelle : 1:1

DESIGNED BY: FERRAND Godefroy			I	-		
DATE: 07/03/2017			H	-		
CHECKED BY: XXX			G	-		
DATE: XXX			F	-		
SIZE A4		PV3e		E	-	
SCALE 1:1	Matière Aluminium	DRAWING NUMBER			D	-
		support etrier	SHEET	1/1	C	-
This drawing is our property; it can't be reproduced or communicated without our written agreement.					B	-
					A	-