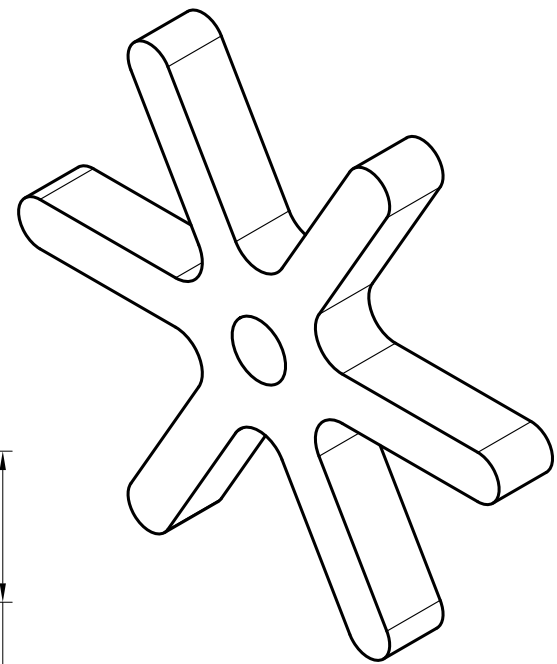
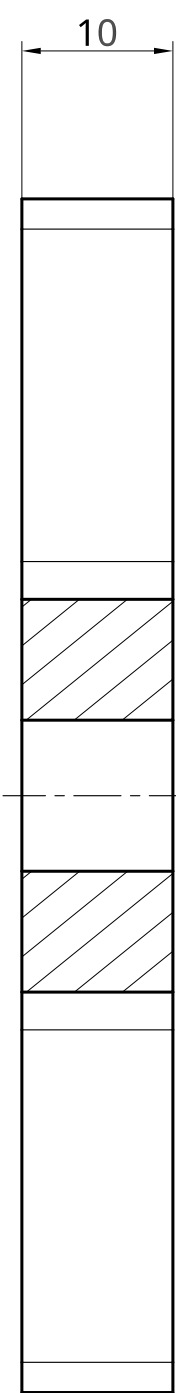
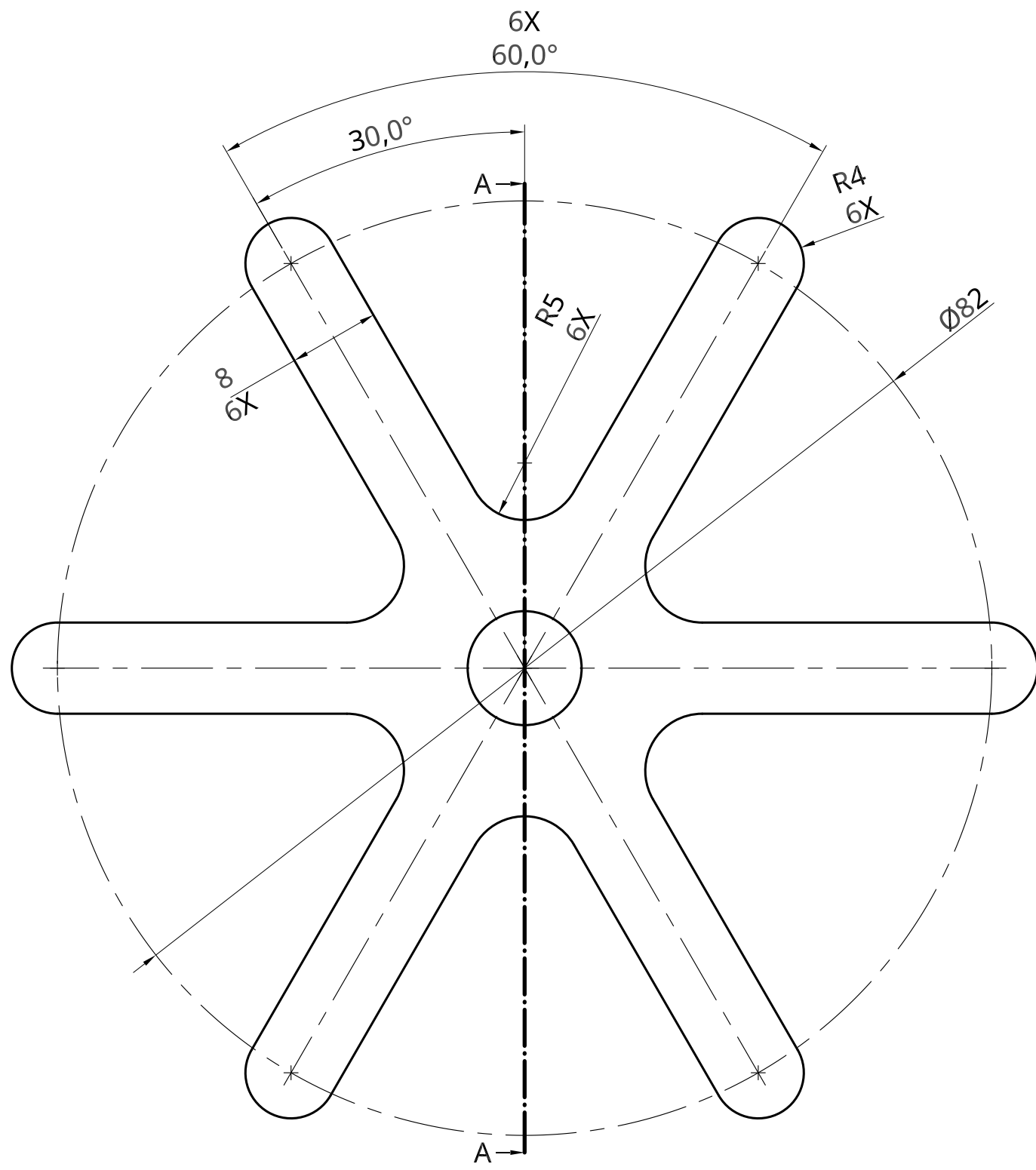


6 5 4 3 2 1

D
C
B
A

D
C
B
A



A - A

UNLESS OTHERWISE SPECIFIED, DIMENSIONS ARE IN MILLIMETERS ANGULAR $\angle = \pm \text{ }^\circ$ SURFACE FINISH DO NOT SCALE DRAWING BREAK ALL SHARP EDGES AND REMOVE BURRS FIRST ANGLE PROJECTION 	NAME	SIGNATURE	DATE	TITLE Impeller		
	DRAWN	Sebastien Deprez	2017-02-03			
	CHECKED					
	APPROVED				SIZE	DWG NO.
MATERIAL	FINISH	A3		001	-	
Stainless steel 304		SCALE	WEIGHT	SHEET		
		2:1		1 of 1		

6 5 4 3 2 1