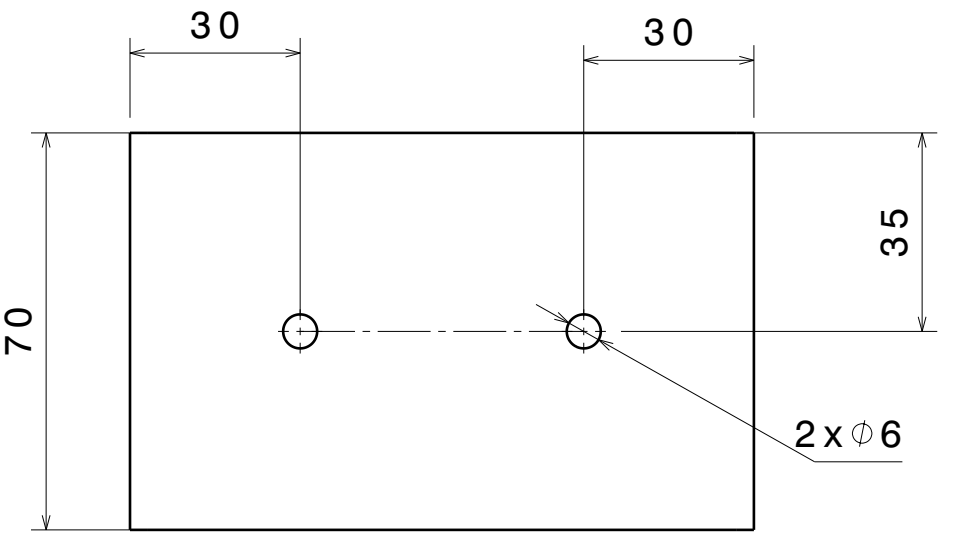
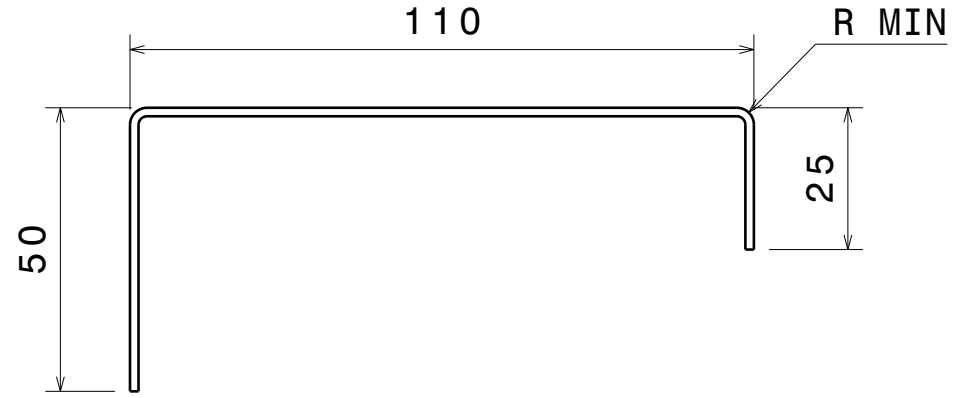
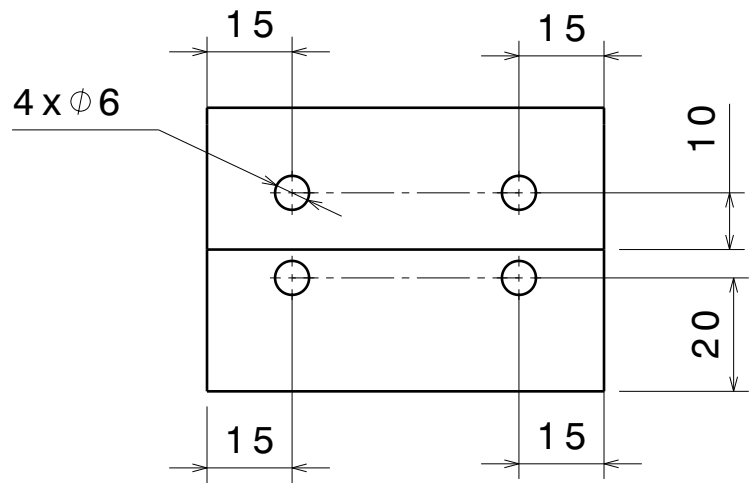


D

C

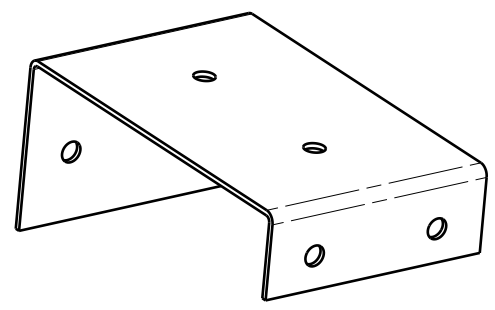
B

A



NOTE:

- MATIERE: ACIER INOX 304L OU EQUIVALENT
- EPAISSEUR: 1.2mm MINI
- CASSER LES ARETES VIVES



DRAWN BY <b>Romain</b>		DATE 02/02/2017	DRAWING TITLE <b>U PROFILE</b>			
CHECKED BY <b>XXX</b>		DATE xxx	SIZE <b>A4</b>	DRAWING NUMBER <b>XXX</b>		REV <b>X</b>
DESIGNED BY <b>XXX</b>		DATE xxx	SCALE <b>1:1</b>	WEIGHT(kg) <b>XXX</b>	SHEET <b>1/1</b>	

D

A