

H G F E D C B A

4

3

2

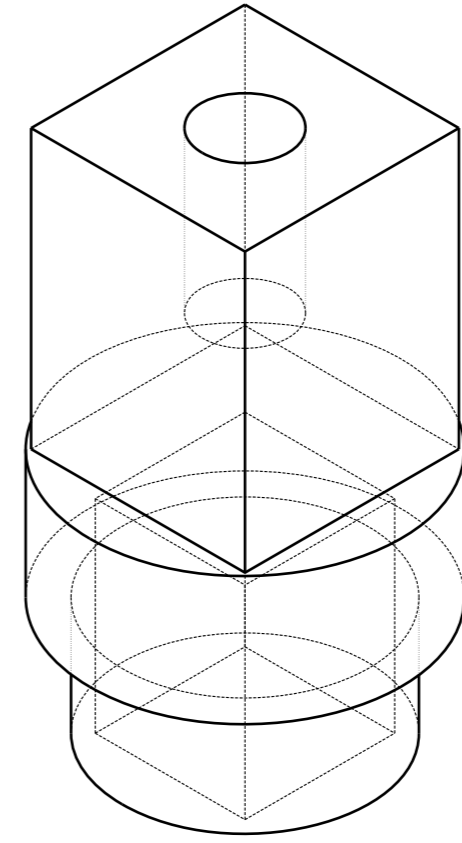
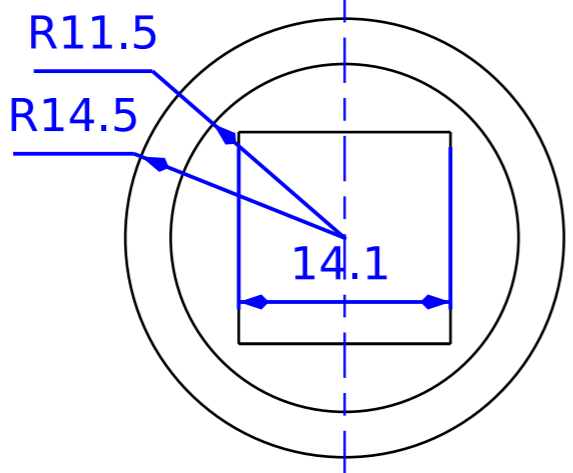
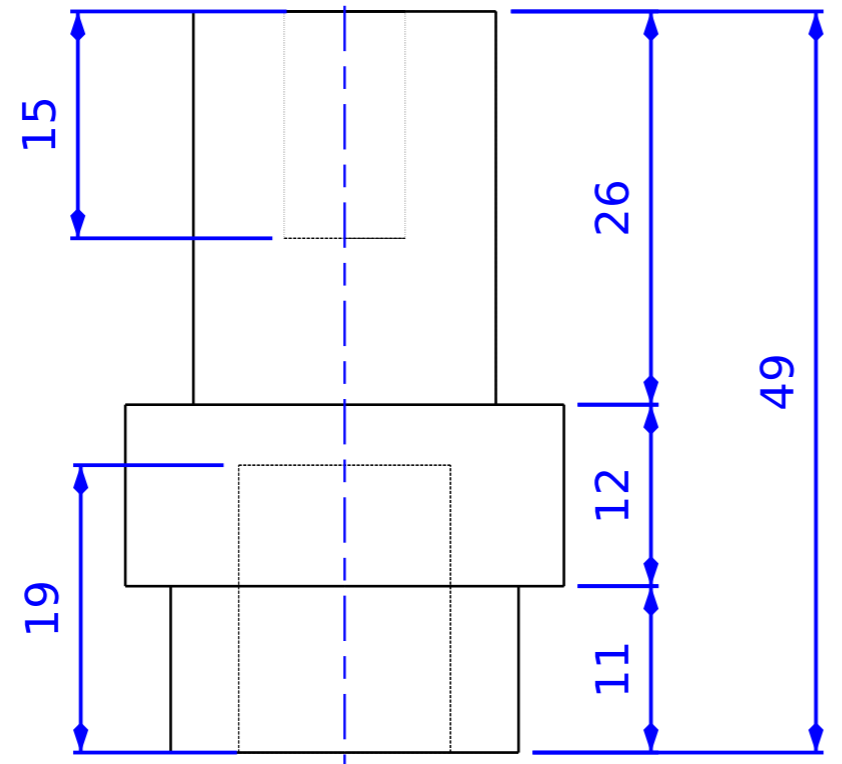
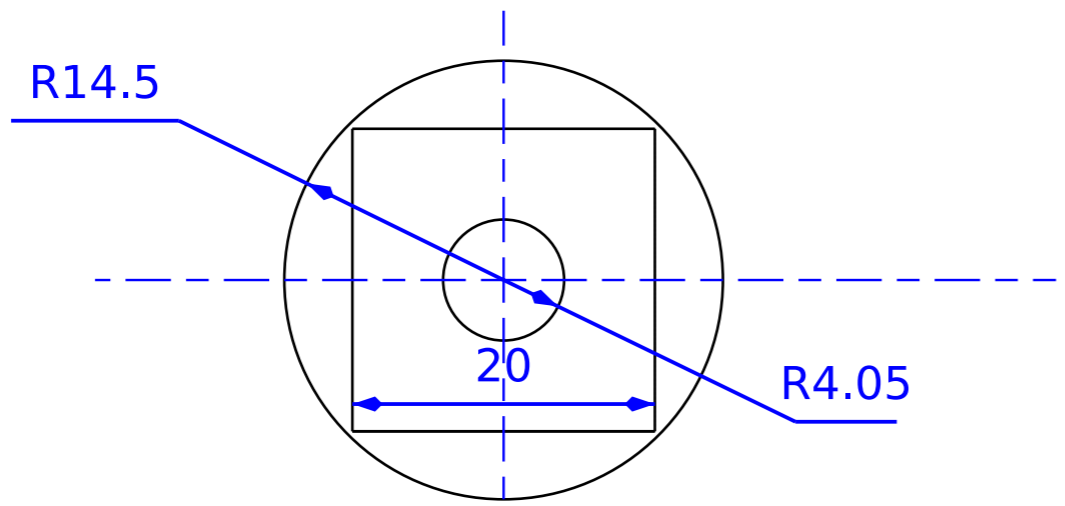
1

4

3

2

1



DESIGNED BY: AUTHOR NAME		TITLE		I	-
DATE: CREATION DATE				H	-
CHECKED BY: SUPERVISOR NAME		SUBTITLE		G	-
DATE: CHECK DATE				F	-
SIZE A3		DRAWING NUMBER		E	-
SCALE	WEIGHT (kg)			D	-
SCALE	WEIGHT	NUMBER		C	-
				B	-
		SHEET		A	-



This drawing is our property; it can't be reproduced or communicated without our written agreement.

H G F E D C B A