

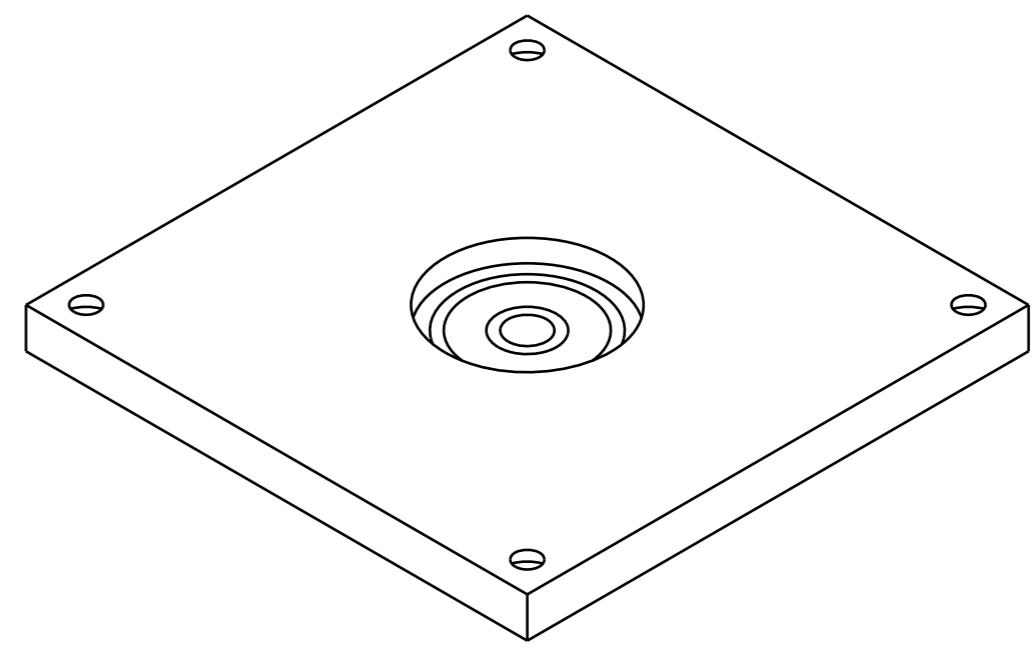
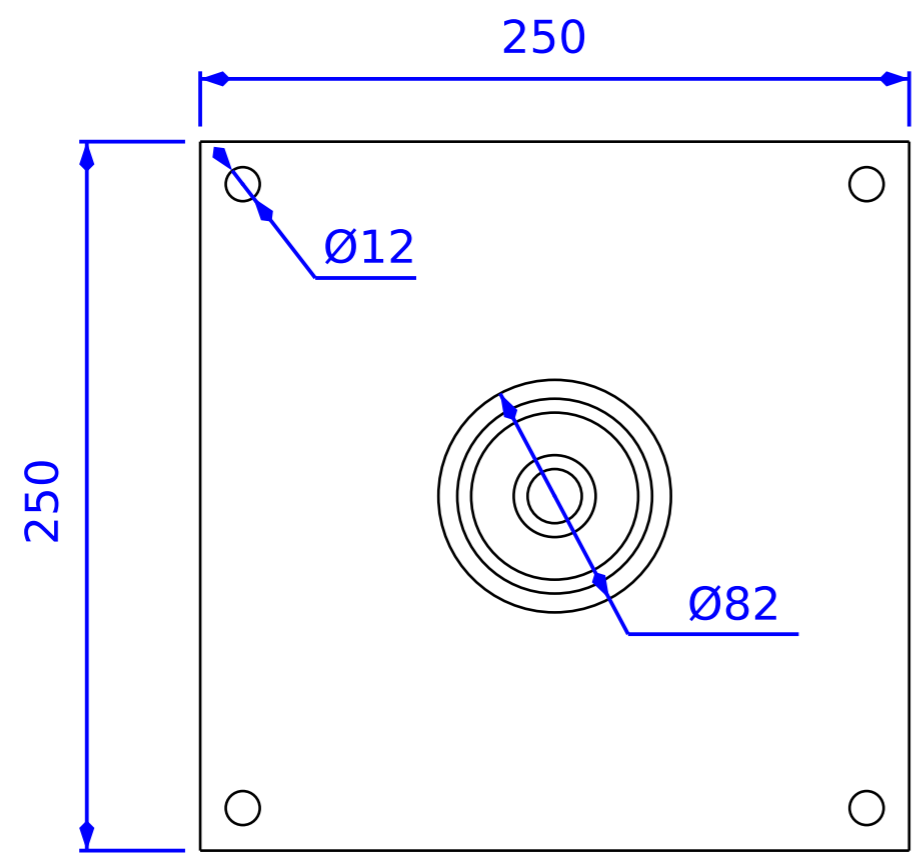
H G F E D C B A

4

3

2

1

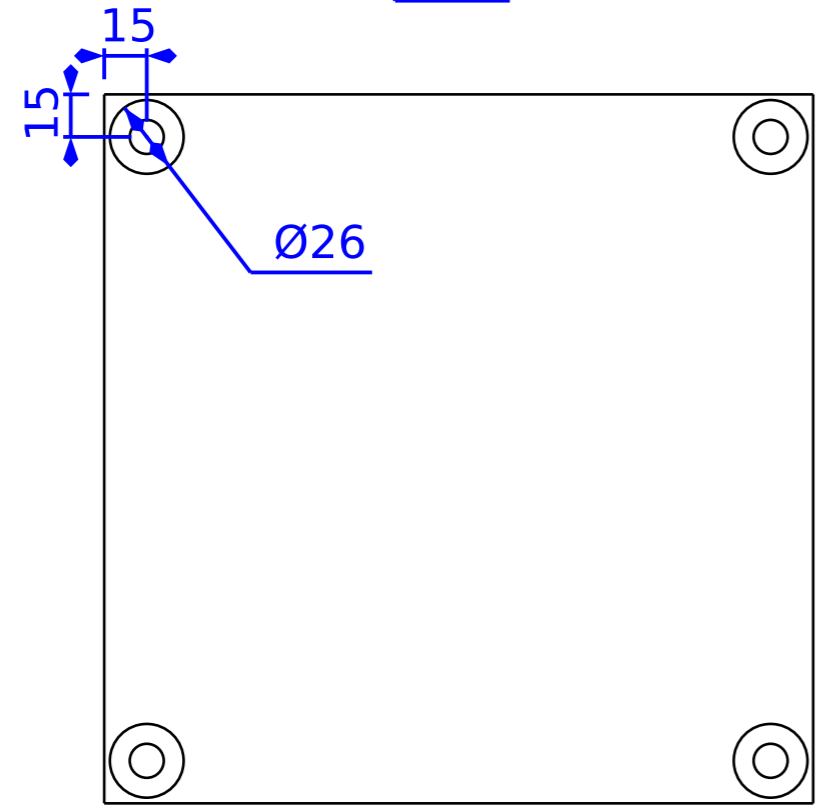
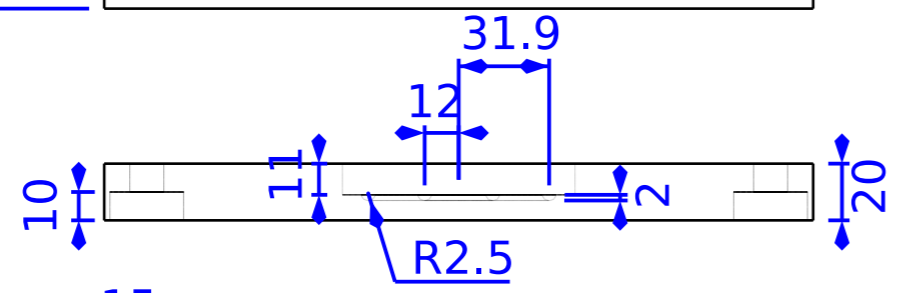


4

3

2

1



| | | | | | |
|---|-------------|----------------|--|----------|---|
| DESIGNED BY: AUTHOR NAME | | TITLE | | I | - |
| DATE: CREATION DATE | | | | SUBTITLE | |
| CHECKED BY: SUPERVISOR NAME | | DRAWING NUMBER | | G | - |
| DATE: CHECK DATE | | | | SHEET | |
| SIZE A3 | | DRAWING NUMBER | | E | - |
| SCALE | WEIGHT (kg) | | | SHEET | |
| SCALE | WEIGHT | NUMBER | | C | - |
| This drawing is our property; it can't be reproduced or communicated without our written agreement. | | | | B | - |
| | | | | A | - |

H G F E D C B A