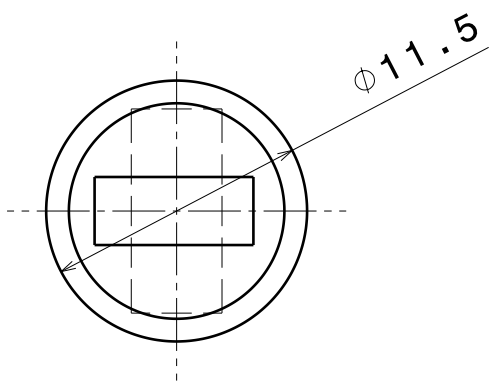
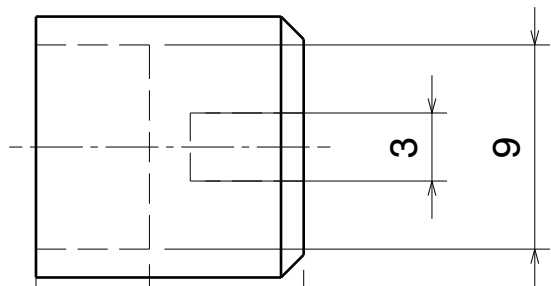


D C B A

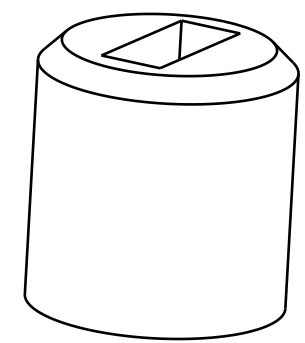
4



Vue de face  
Echelle : 3:1



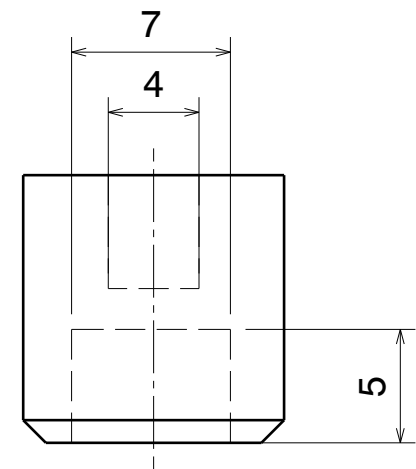
Vue de gauche  
Echelle : 3:1



Vue isométrique  
Echelle : 3:1

3

2



Vue de dessus  
Echelle : 3:1

DESIGNED BY: <b>Bottausci</b>				I	-
DATE: <b>13/10/2016</b>				H	-
CHECKED BY: <b>XXX</b>				G	-
DATE: <b>XXX</b>				F	-
SIZE <b>A4</b>		<b>Cylindre de transmission</b>		E	-
SCALE <b>1:1</b>	WEIGHT (kg) <b>0.001</b>			D	-
DRAWING NUMBER		SHEET <b>1/1</b>		C	-
This drawing is our property; it can't be reproduced or communicated without our written agreement.				B	-
				A	-

1

D A