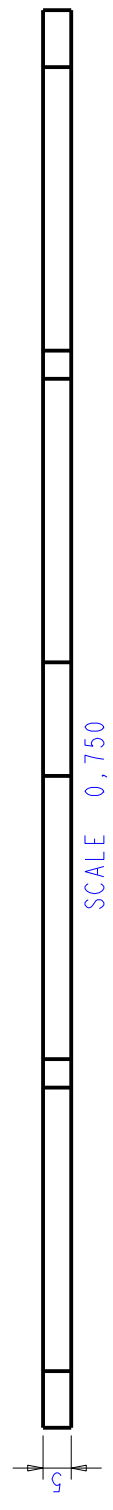
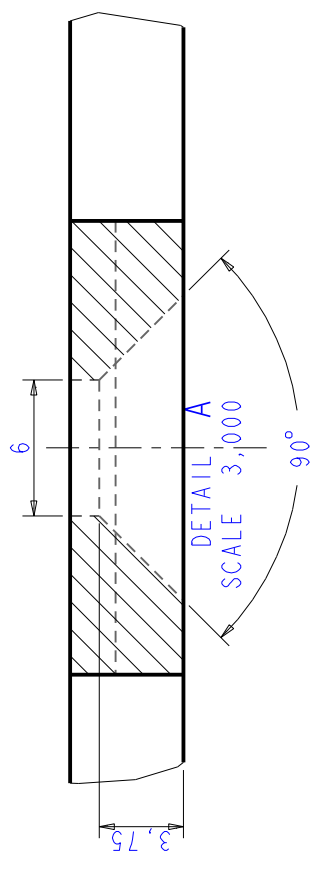
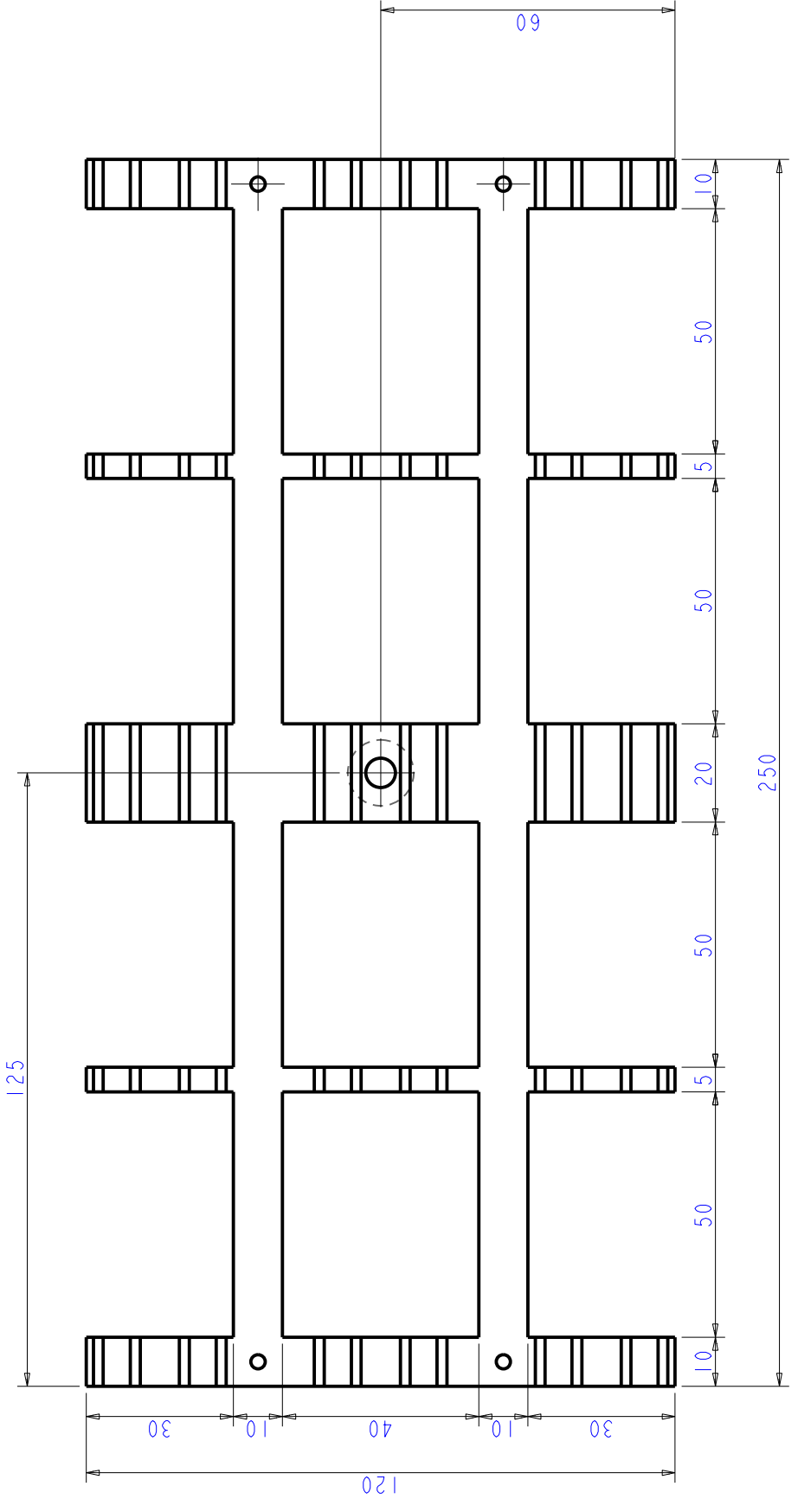
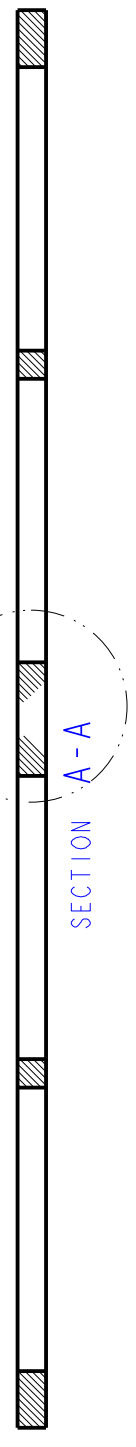


SCALE 0,350



SCALE 0,750

SEE DETAIL A



-Tolérances moyennes souhaitées sauf contre-indications
 -Casser toutes les arêtes
 -Marquage Laser

© CERATIZIT ALL RIGHTS RESERVED. No part of this document shall be executed, used or reproduced without written permission of CERATIZIT

Tolerances ISO 2768	0,5 a 3	> 3 a 6	> 6 a 30	> 30 a 120	> 120 a 400	> 400
finis	±0,05	±0,05	±0,10	±0,15	±0,20	±0,30
moyennes	±0,10	±0,10	±0,20	±0,30	±0,50	±0,80

Drawn By	Date
Michael Genin	28-Sep-16

Grille inférieure

MO070820-001

Modifications

CERATIZIT Luxembourg S.à r.l.
 Route de Holzem, B.P. 51
 L-8201 Mamer
 Luxembourg
 Tel: +352 312085-1
 Fax: +352 311911
 E-mail: info@ceratizit.com
 www.ceratizit.com

Order:xxx	Ceratizit
Cust. Ref:xxx	
Material: Acier Inox	
PRO/E DRAWING	

A