

1

2

3

4

5

6

RevNo	Revision note	Date	Signature	Checked
-------	---------------	------	-----------	---------

A

B

C

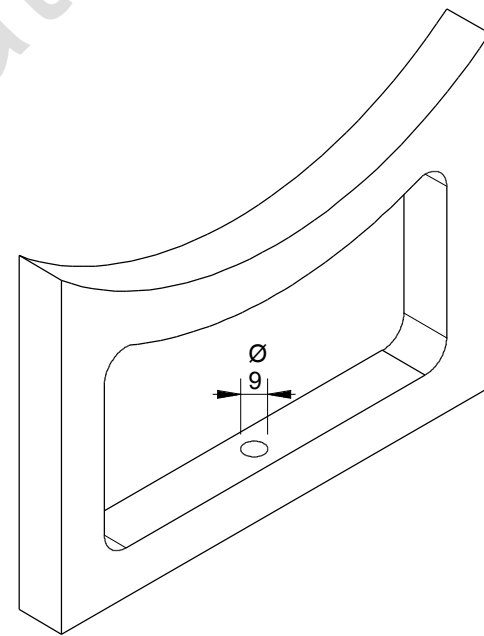
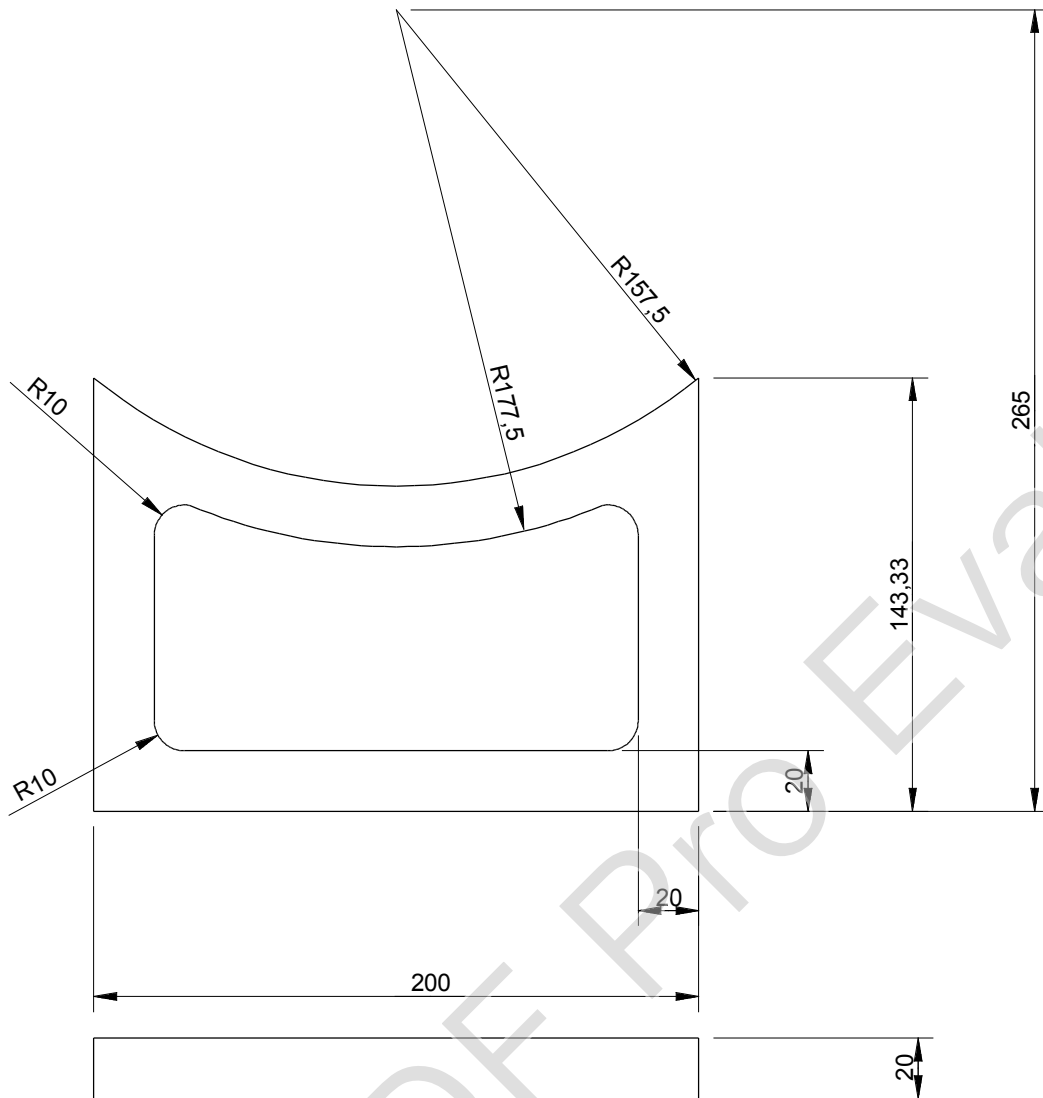
D

A

B

C

D



Support tube Ø315mm					
Toutes cotes en mm				Edition	Sheet
				6	

1

2

3

6