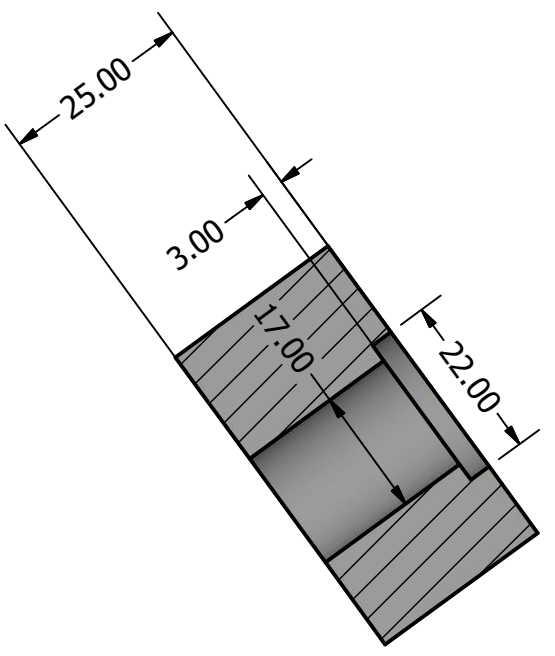
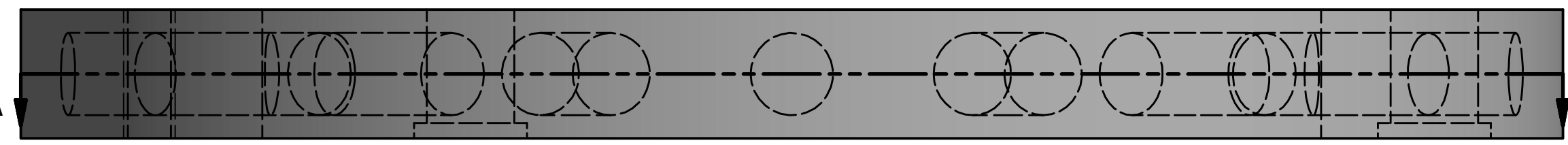
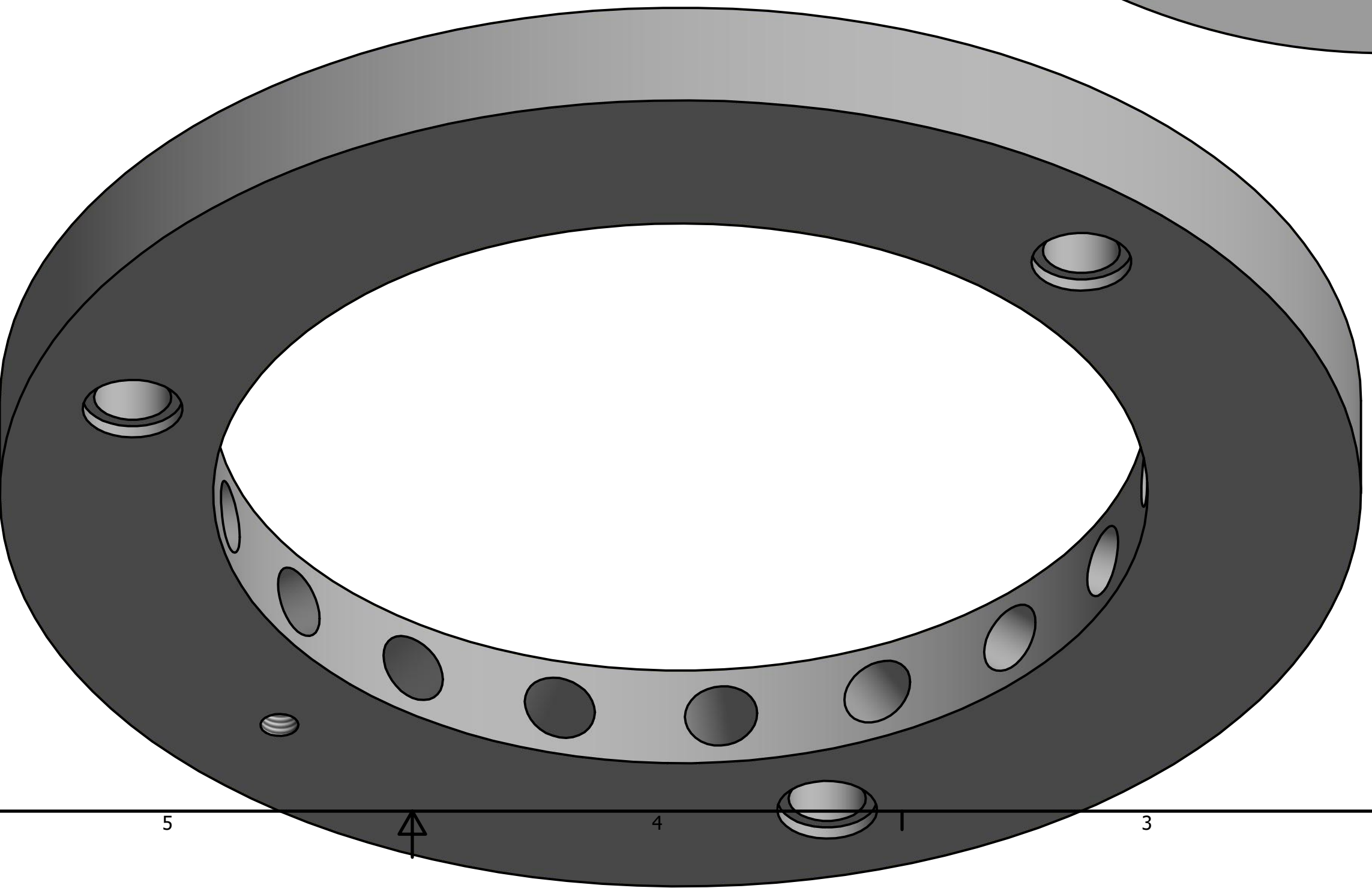
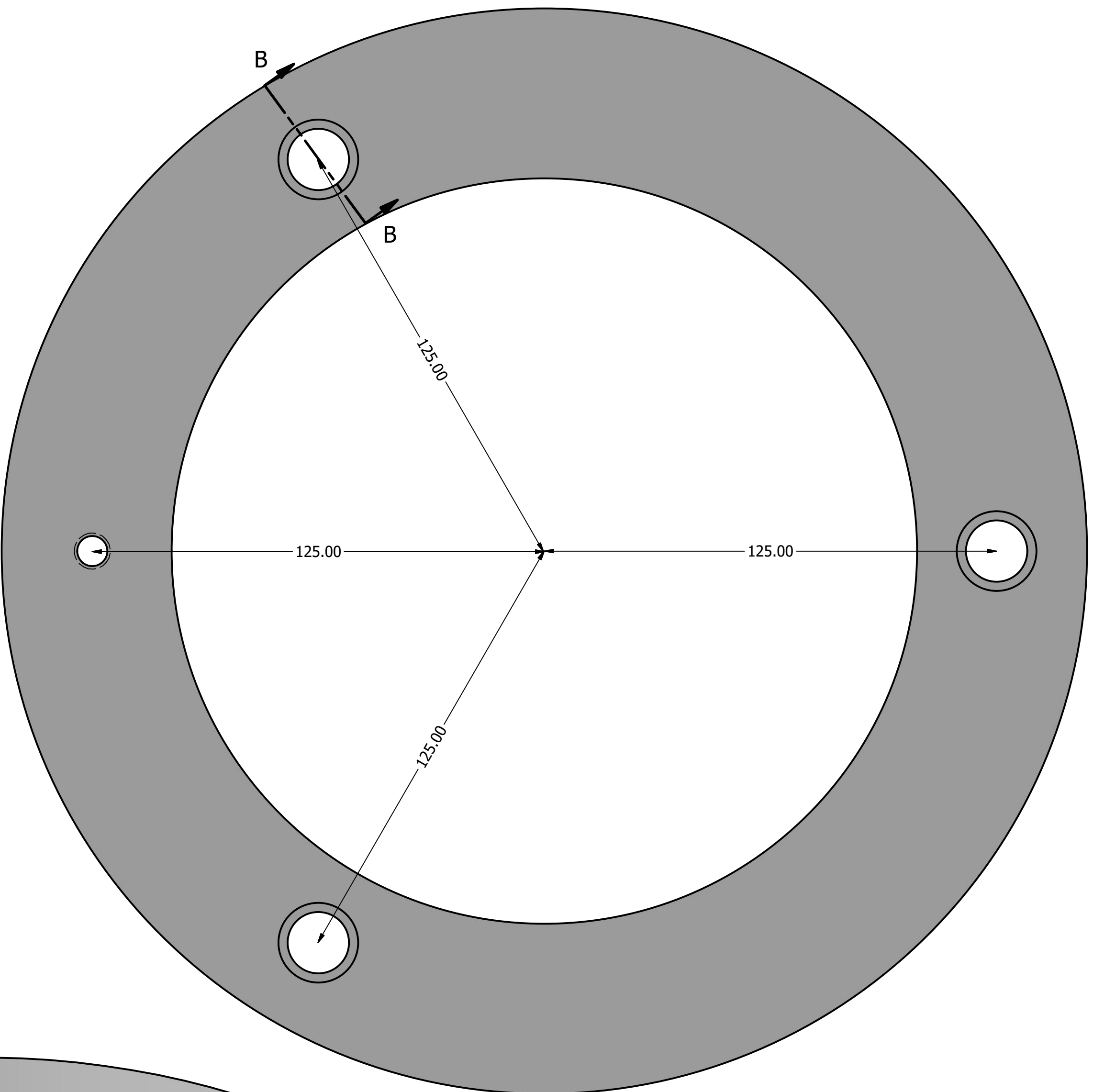


SECTION A-A  
SCALE 1 : 1



SECTION B-B  
SCALE 1 : 1



DRAWN Matt&Celia	06/10/2016	TITLE	
CHECKED		DWG NO	
QA		100	103
MFG		REV	
APPROVED		SCALE 1 : 1	
		SHEET 1 OF 1	