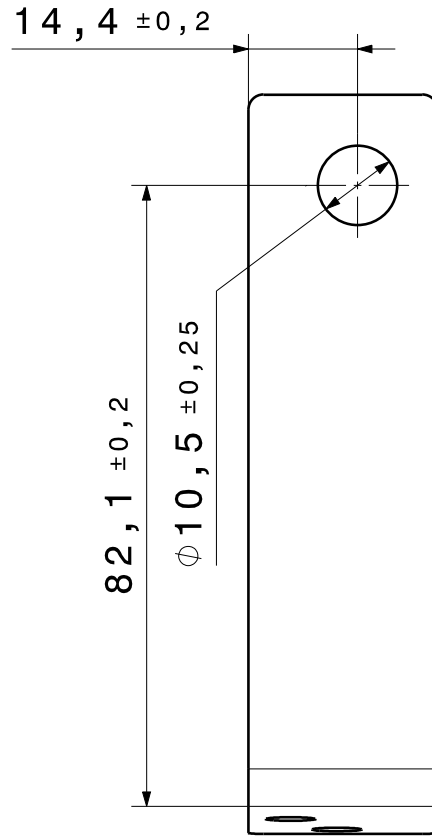
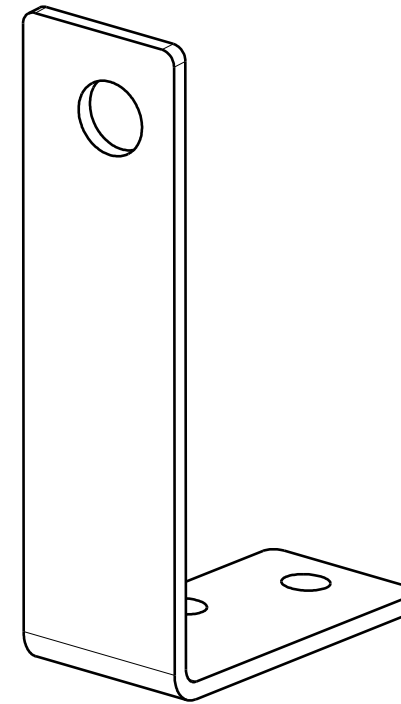


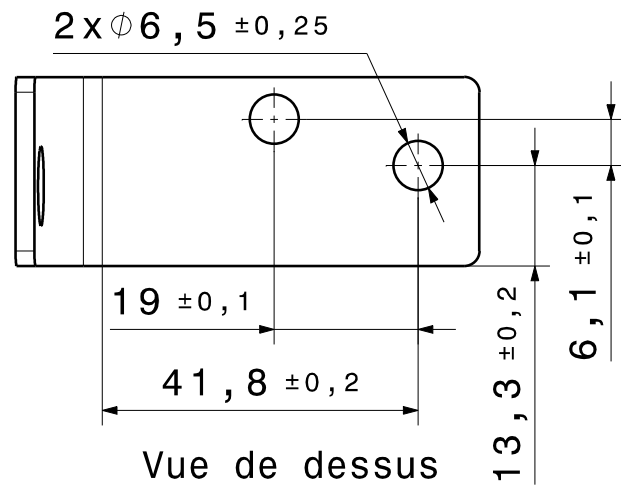
Vue de face  
Front view



Vue de face  
Front view



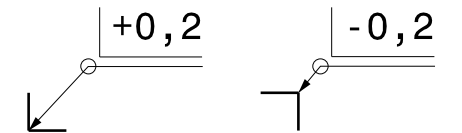
Vue isométrique  
Isometric view



Vue de dessus  
Top view

SPECIFICATIONS / SPECIFICATIONS

- △ = CARACTERISTIQUES CONDITIONS / SPECIAL CHARACTERISTICS
- △ - CODE DE PROPRETE = A (B-/C18/D17/E15/FGH12/I3/JK00) SUIVANT LA NORME ISO 16 232
- △ - CLEANLINESS CODE = A (B-/C18/D17/E15/FGH12/I3/JK00) ACCORDING TO ISO 16 232
- ETAT GENERAL DES BORDS SUIVANT ISO 13715
- GENERAL ASPECT OF EDGES ACCORDING TO ISO 13715



Validation Project						
Validation Quality						
Validation Engineering						
Validation Purchasing						
IND. PI. PART C.L.	IND. PL. DWG C.L.	ETAIT AVANT MODIFICATION WAS BEFORE MODIFICATION	DATE DATE	PAR BY	NB MODI. MODIF. QTY	

METHODE DE PROJECTION PROJECTION METHOD ISO 128-1 	DESSINE DRAWN 22/07/2016	JOUR DAY	NOM NAME VIDICAN G.
SURFACE SURFACE ISO 1302	APPROUVE APPROVED	ECHELLE SCALE 1:1	DESIGNATION : DESIGNATION : <b>Patte embout male</b>
TOLERANCE DE FORME ET DE POSITION FORM AND POSITION TOLERANCE ISO 1101	MATERIE / MATERIAL : Acier Inoxydable		
TOLERANCE GENERALE GENERAL TOLERANCE ISO 2768 -mK	REFERENCE / PART NUMBER : <b>18090-130400</b>		
FORMAT SIZE A3			
	FLEXITECH Europe SAS 293, rue des Sagnes 42210 Saint-André-le-Puy FRANCE		

Chemin d'accès : W:\FLMR\_R&D\_ASSEMBLAGE\05 - Plans CAO\Catia\Divers\Indus\Banc de gym\BMW\_F15\18090-130400

CAO  
DESSIN  
CATIA  
MODIFICATION  
A LA PLANCHE  
INTERDITE

