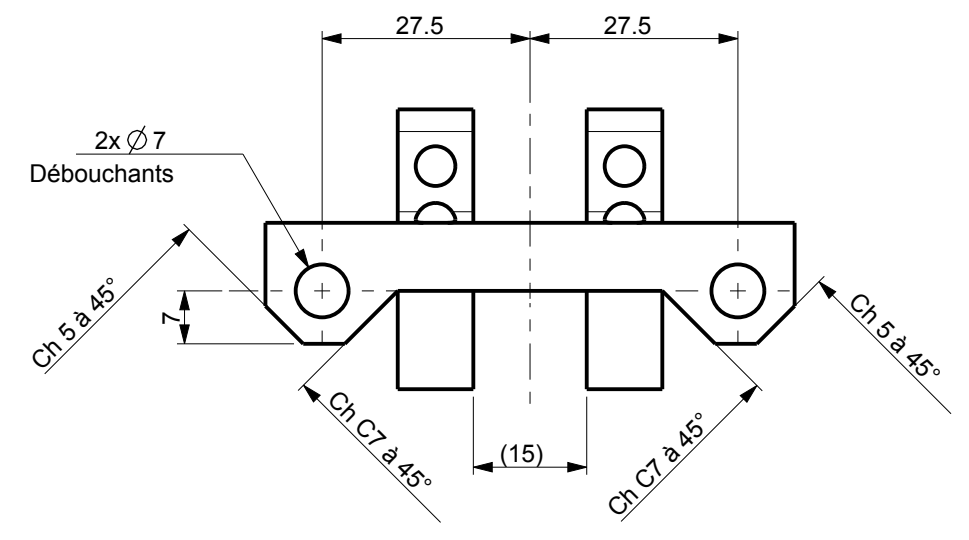
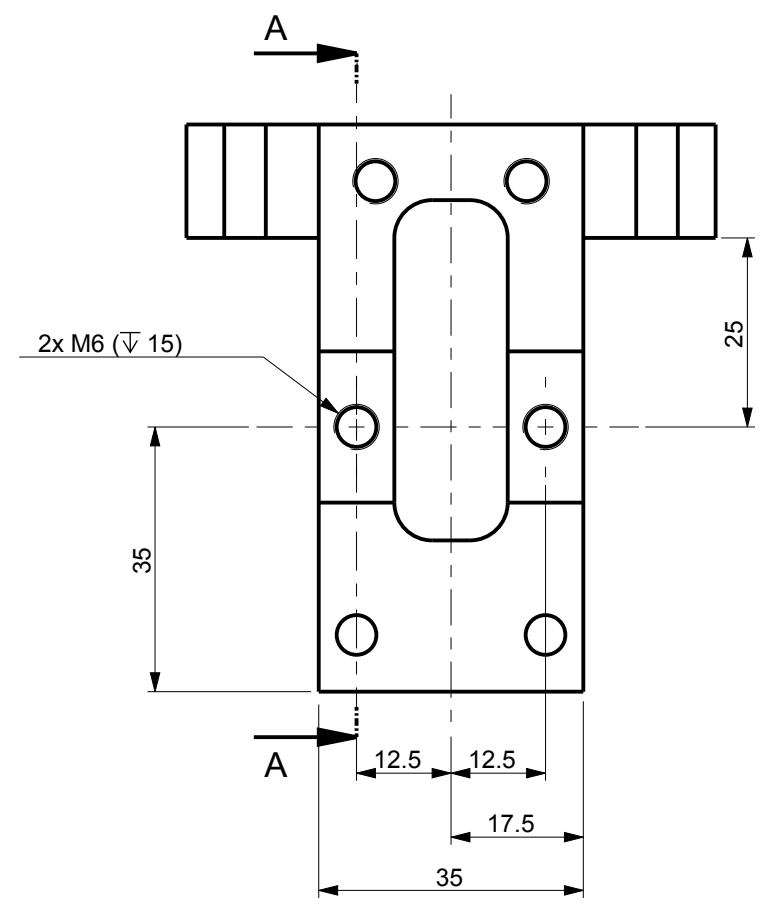
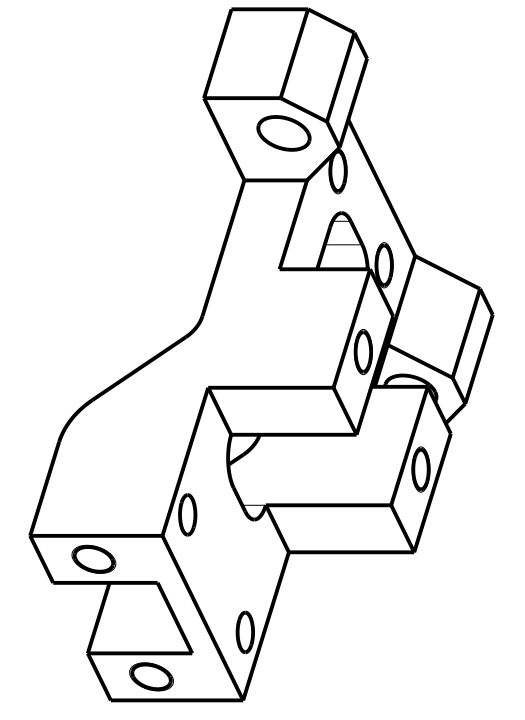
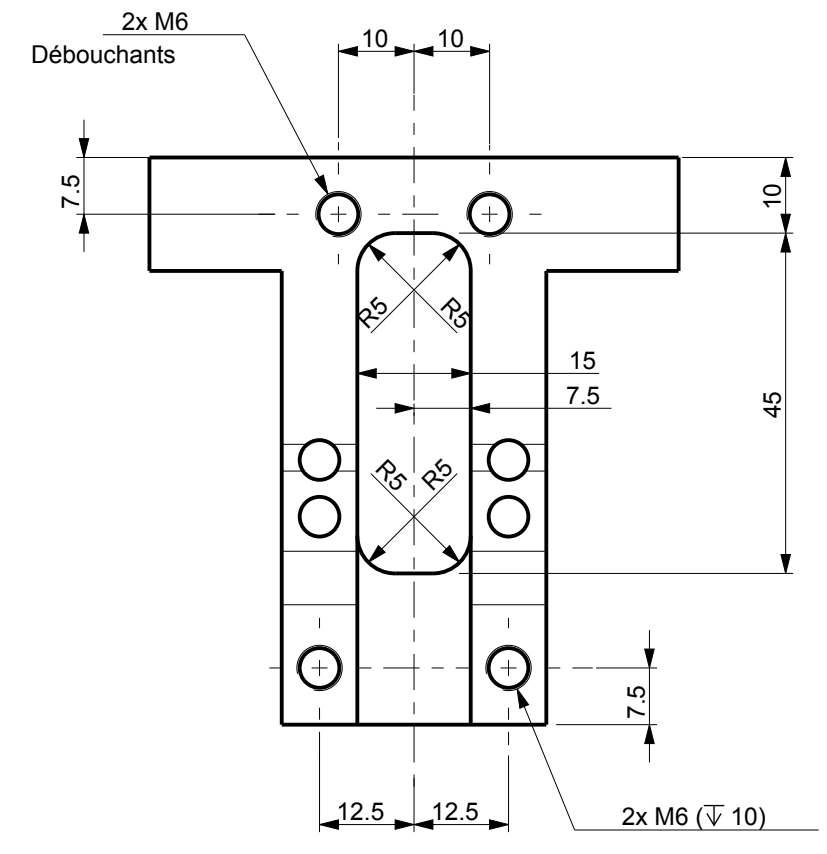
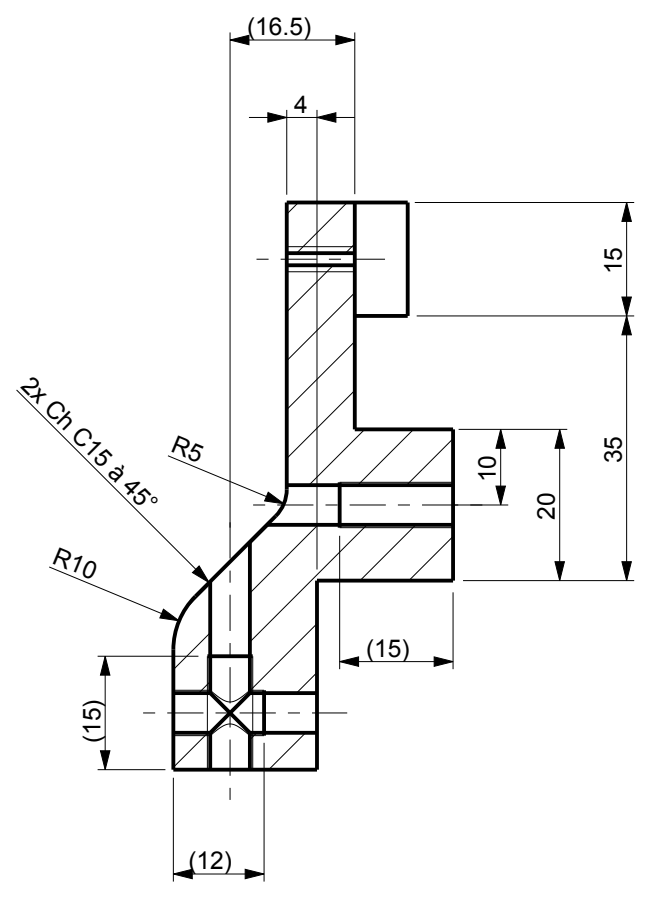


SECTION A-A



	Scale: 1.000	Matière / Traitement: Dural ou Aluminium 2017A	Units of measure : mm
	Document Number: <b>SUPPORT_CADRE</b>		Doc. Rev. Sheet: 1/1
State:			