

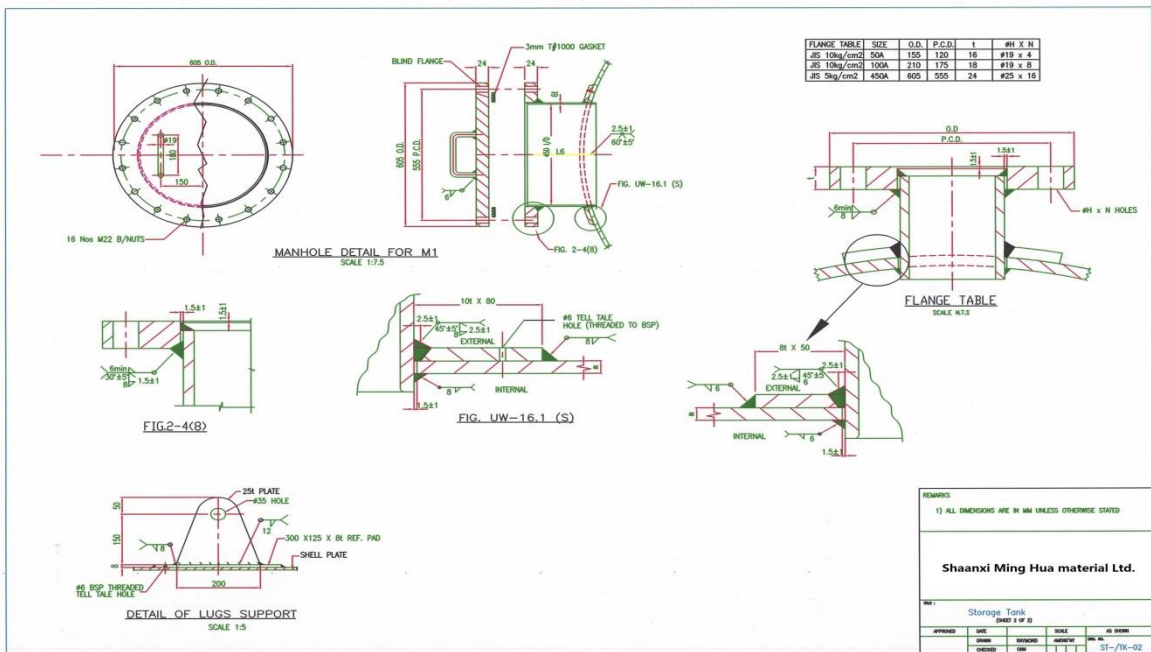
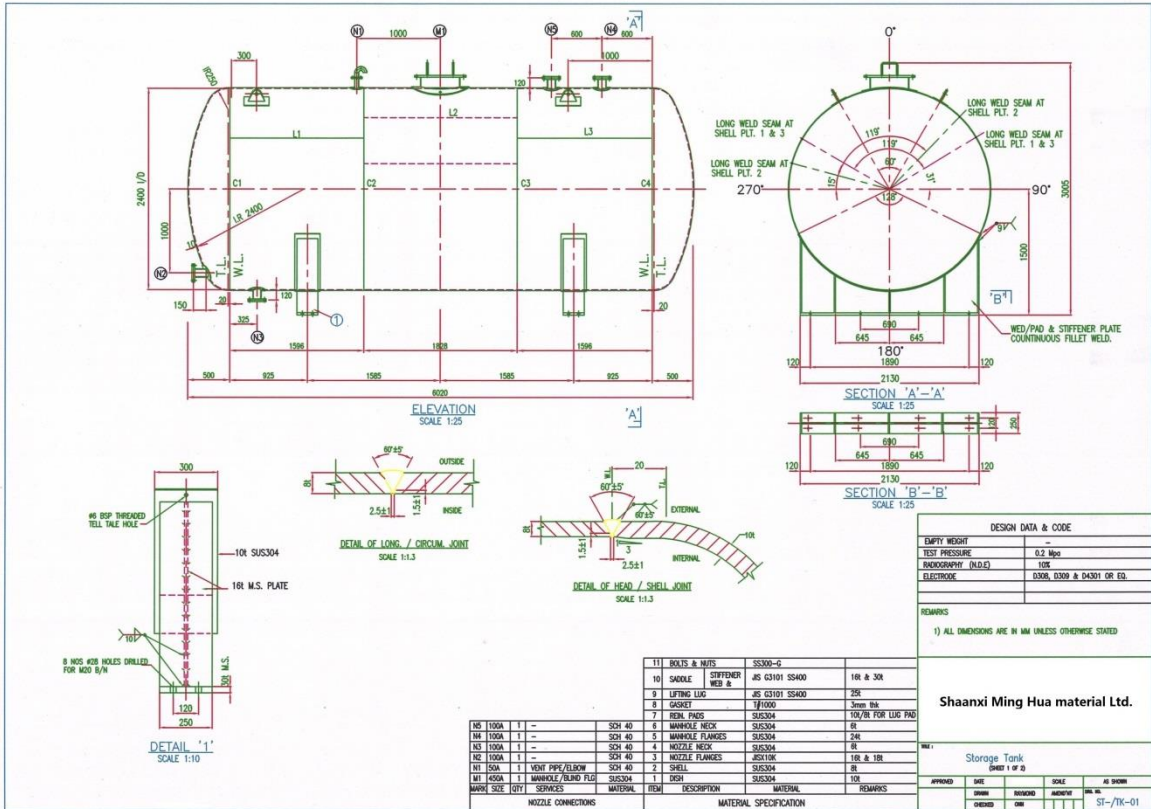


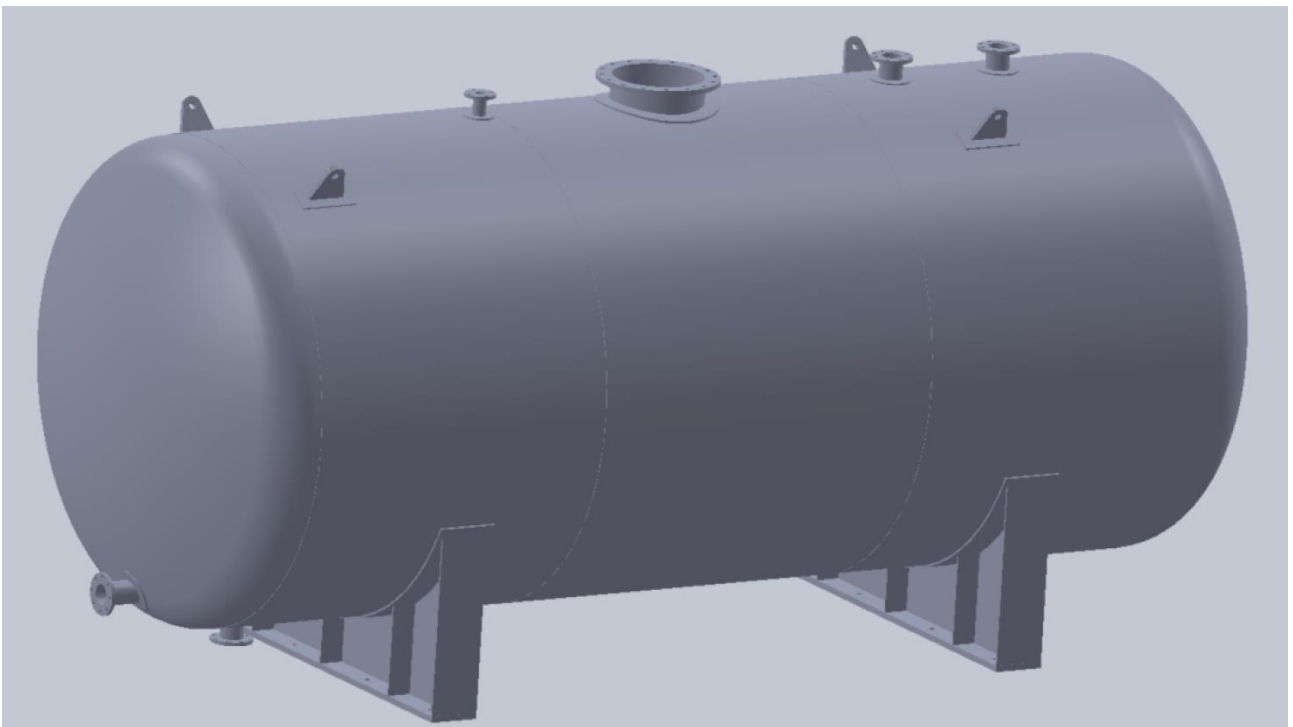
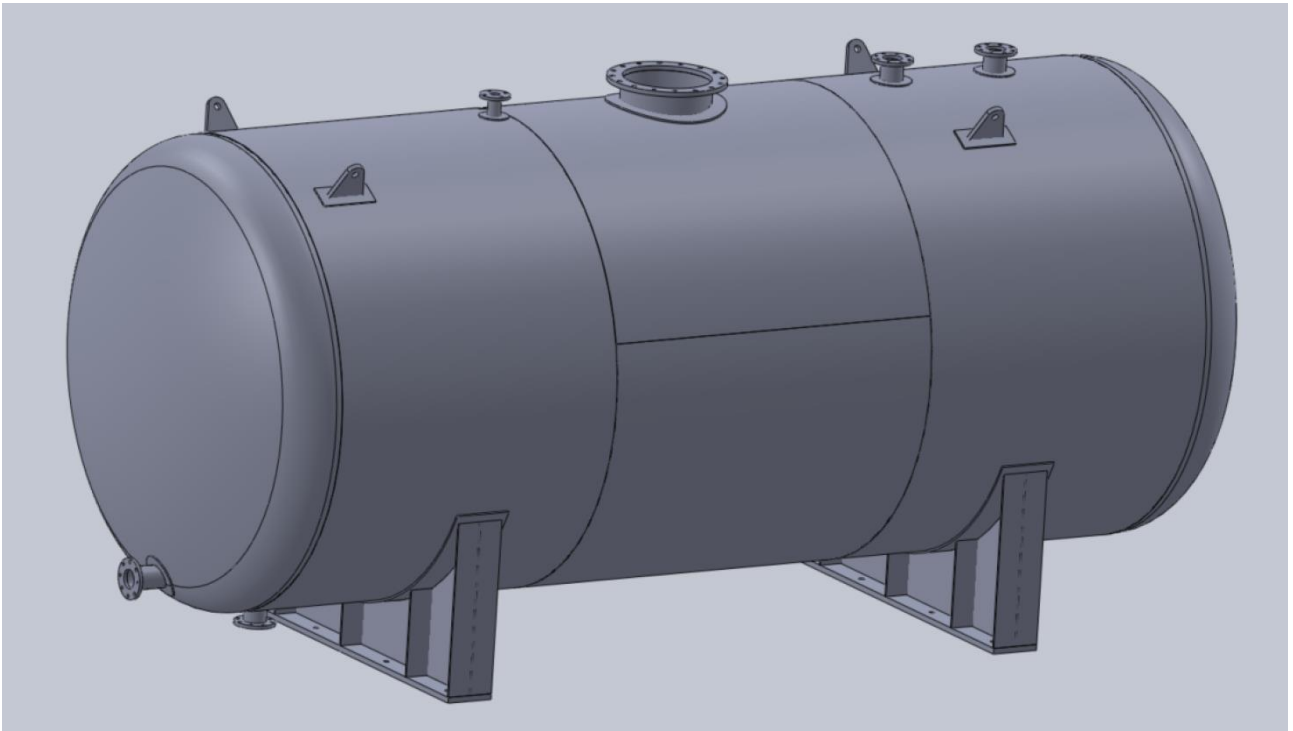
# SEAGOP sas

Engineering & Lifecycle Services

Quotation Ref: 20161605-002

Ver.	Created	Author	Verified by
01	Jessica Wild	Jessica Wild	Roberto Semanou
02			

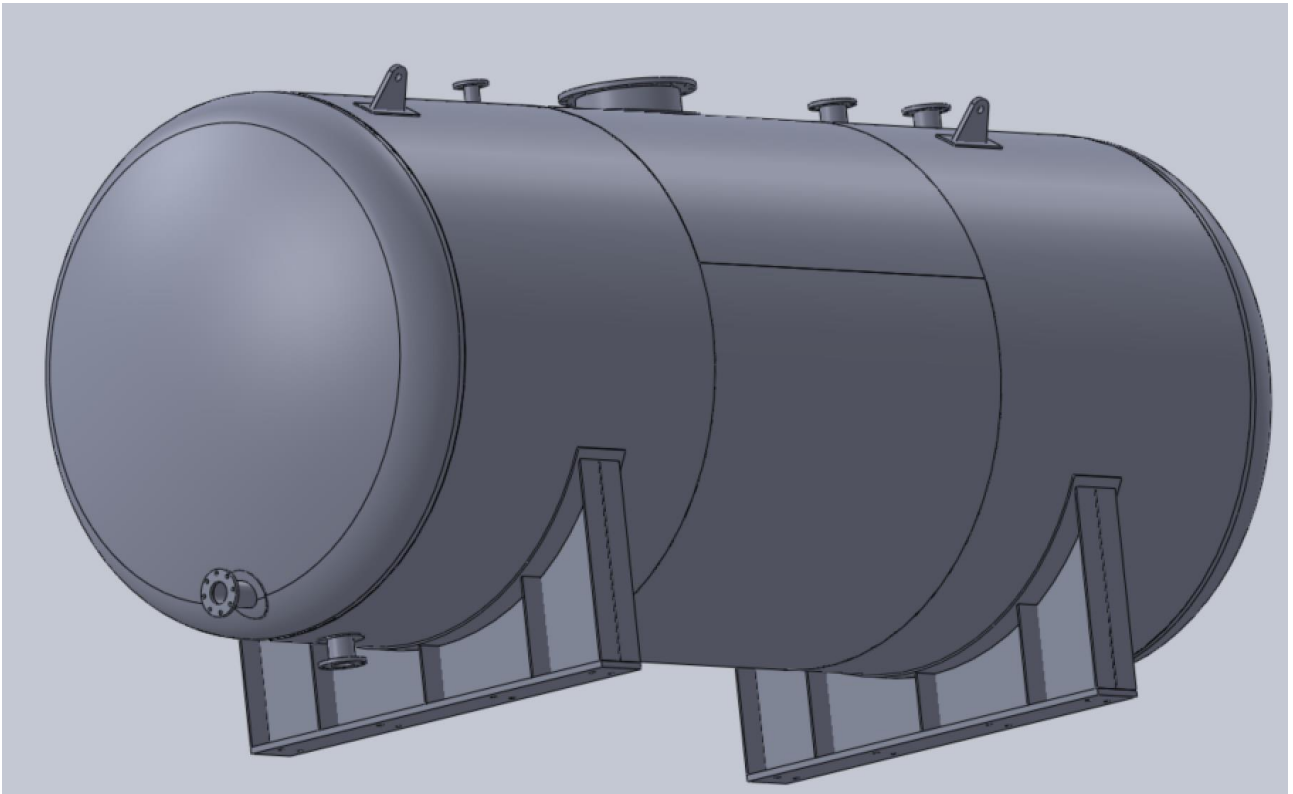




**SEAGOP SAS**

75 Rue de la Plaine 75020 Paris France

Tel: 01 53 73 12 31 Mob : 06 69 58 80 88 [www.Seagop.com](http://www.Seagop.com)



**SEAGOP SAS**

75 Rue de la Plaine 75020 Paris France

Tel: 01 53 73 12 31 Mob : 06 69 58 80 88 [www.Seagop.com](http://www.Seagop.com)