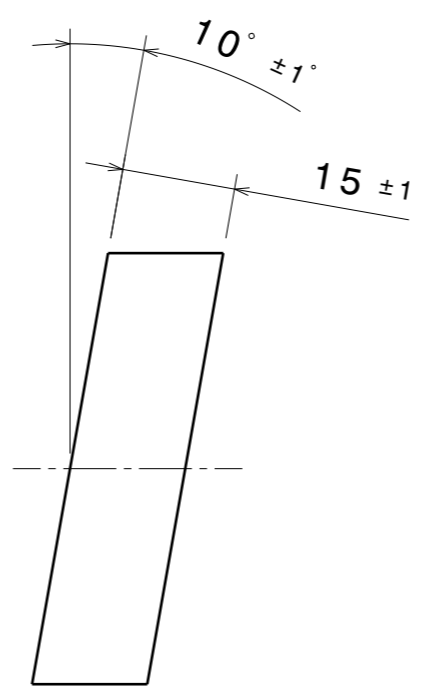
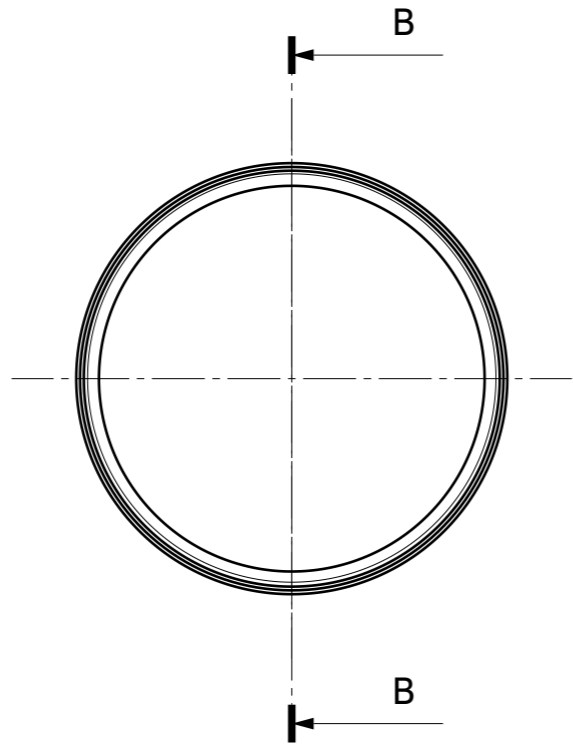
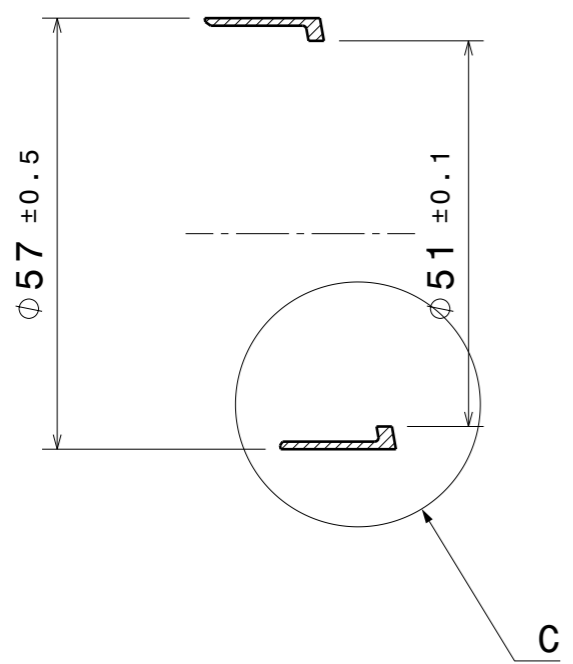


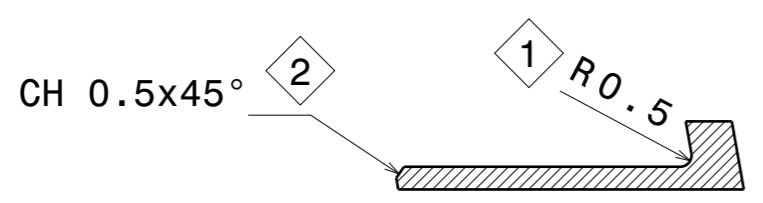
Right view

Front view

Section cut B-B



Detail C
Scale: 3:1



NOTA :

- ◇ 1 plus petit rayon possible acceptable jusqu'a 1mm
- ◇ 2 un mouchage manuel suffit

DATE: 21/05/2016		matiere : INOX A4		F	-		
SIZE	A3		Laurent PARIS		E	-	
SCALE	1:1				D	-	
WEIGHT (kg)	0,027	DRAWING NUMBER	manchon mât		C	-	
		SHEET			B	-	
				1/1		A	01

This drawing is our property; it can't be reproduced or communicated without our written agreement.