

H G F E D C B A

4

3

2

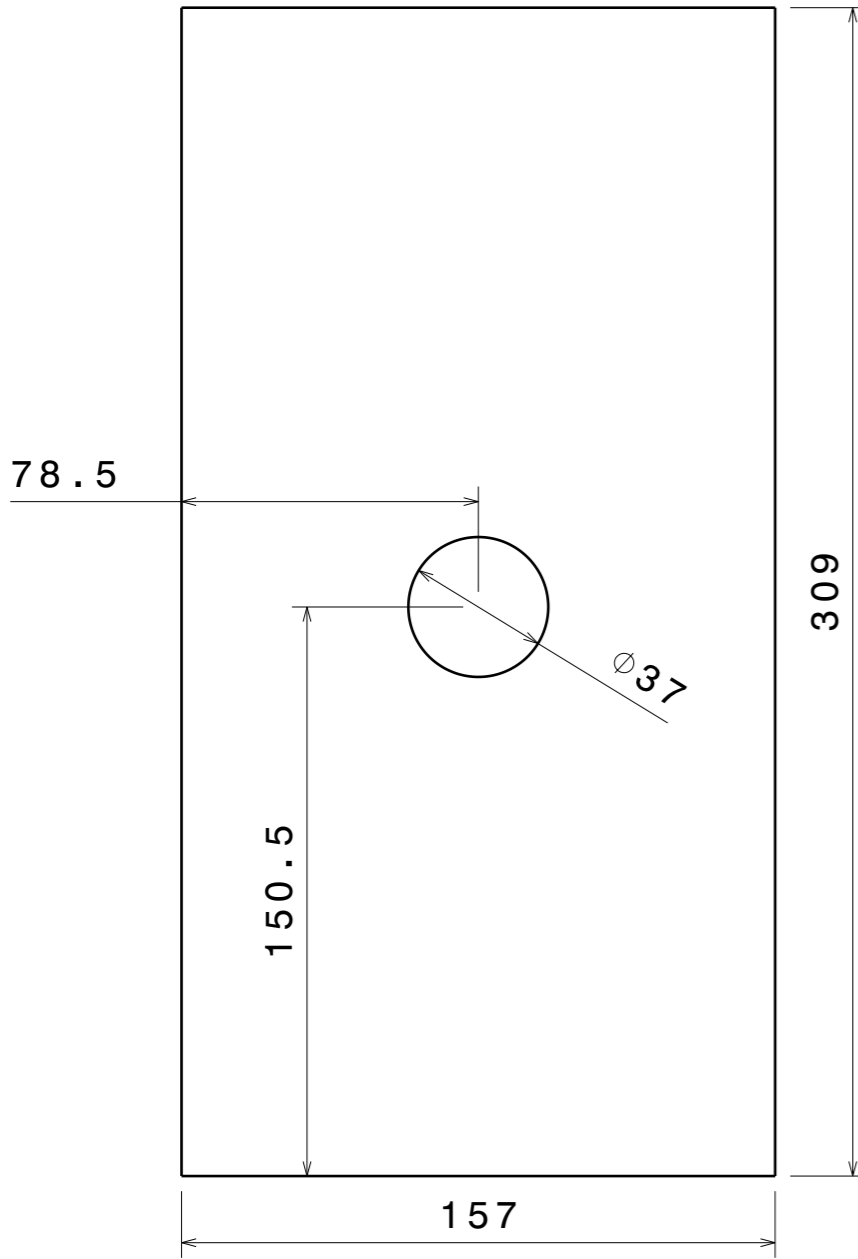
1

4

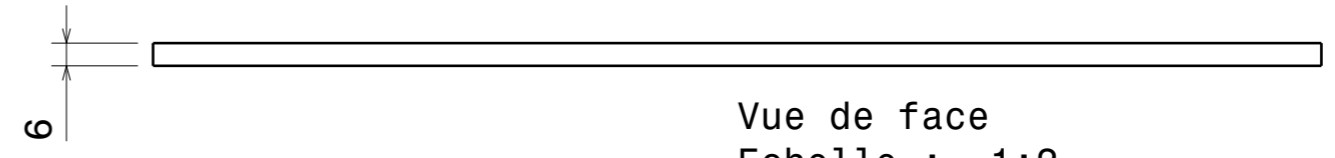
3

2

1



Vue de face
Echelle : 1:2



Vue de face
Echelle : 1:2

DESIGNED BY: Victor TABOUILLOT		plaque1		I	-
DATE: 16/05/2016				H	-
CHECKED BY: XXX		DASSAULT SYSTEMES		G	-
DATE: XXX				F	-
SIZE A3		DASSAULT SYSTEMES		E	-
SCALE 1:1	WEIGHT (kg) XXX			D	-
DRAWING NUMBER XXX		SHEET 1/1		C	-
This drawing is our property; it can't be reproduced or communicated without our written agreement.				B	-
				A	-

H G B A