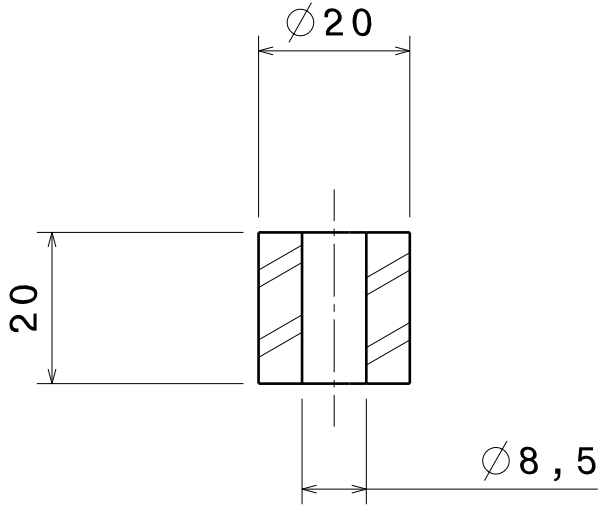
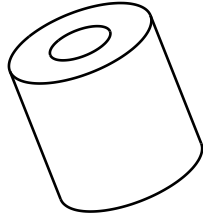


DIMENSIONS : mm SAUF SPECIFICATION CONTRAIRE / UNLESS OTHERWISE NOTED

TOL. GEN. GEN. TOL.	DE 0.5 A 30 FM 0.5 TO 30	+DE 30 A 120 > 30 TO 120	+DE 120 A 315 > 120 TO 315	+DE 315 A 1000 > 315 TO 1000
	±0.2	±0.3	±0.5	±0.8
TOL. ANGUL. ANGUL. TOL.	JUSQU'A 10 UP TO 10	DE 10 A 50 > 10 TO 50	DE 50 A 120 > 50 TO 120	DE 120 A 400 > 120 TO 400
	±1°	±30'	±20'	±10'
LONG. (mm) LENG. (mm)	DE 0.5 A 30 FM 0.5 TO 30	DE 30 A 120 > 30 TO 120	DE 120 A 315 > 120 TO 315	DE 315 A 1000 > 315 TO 1000
TOL. GEN. GEN. TOL.	±0.1	±0.15	±0.2	±0.3
RAYON (mm) RADIUS (mm)	JUSQU'A 10 UP TO 10	DE 10 A 50 > 10 TO 50	DE 50 A 120 > 50 TO 120	DE 120 A 400 > 120 TO 400
	±30'	±20'	±10'	±5'



MATIERE/MATERIAL 2618A ou equiv:	TRAITEMENT/TREATMENT	PROTECTION	ETAT DE SURFACE SURFACE TEXTURE 3.2 $\sqrt{\text{MICRONS}}$	ECHELLE SCALE 1 / 1
ETABLI DRAWN E.B.	NOM/NAME	DATE 18-04-16	VERIFIE CHECKED	NOM/NAME DATE
LIBELLE DENOMINATION ENTRETOISE			FEUILLE/SHEET 1 / 1	
R. FAB/P.N.		FORMAT SIZE A4	ENT01	NUMERO DU DOCUMENT DRAWING NUMBER
		TYPE	PART	VERS.