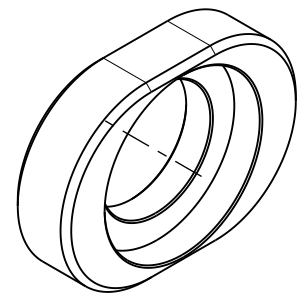
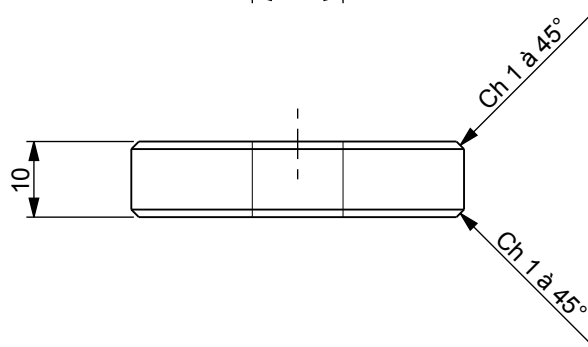
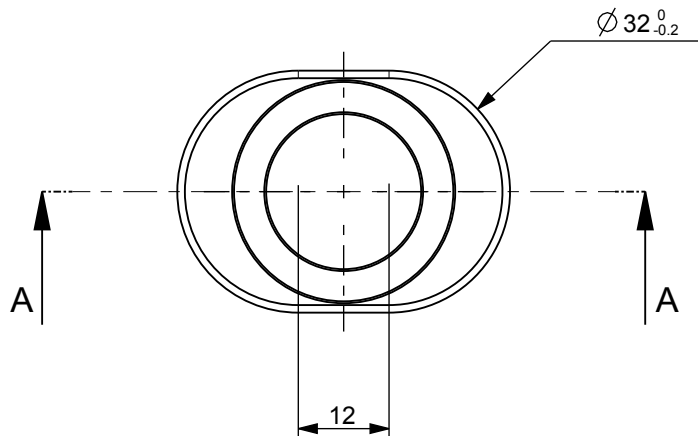


SECTION A-A



SCALE 1.000

	<p>Scale: 1.000</p>	<p>Matière / Traitement:</p>	<p>Units of measure : mm</p>
		<p>Document Number: RONDELLE_CADRE</p>	<p>Doc. Rev. Sheet: 1/1</p>
		<p>State: Provisional</p>	