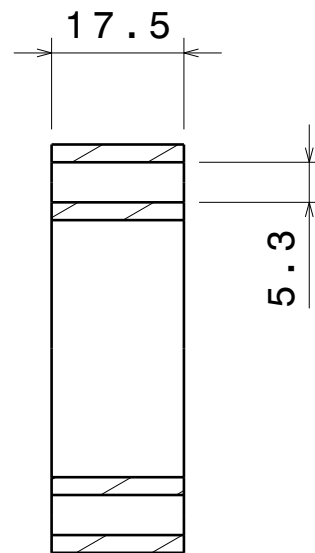



Vue de face  
 Echelle : 1:1



Coupe A-A  
 Echelle : 1:1

DESIGNED BY:		<h1>adaptateur disque 6 trous</h1>		I	-
DATE: 04/04/2016				H	-
CHECKED BY: XXX				G	-
DATE: XXX		F	-		
SIZE <b>A4</b>		E	-		
		D	-		
SCALE <b>1:1</b>	WEIGHT (kg) <b>0,02</b>	DRAWING NUMBER <b>Part1</b>		C	-
		SHEET <b>1/1</b>		B	-
This drawing is our property; it can't be reproduced or communicated without our written agreement.				A	-