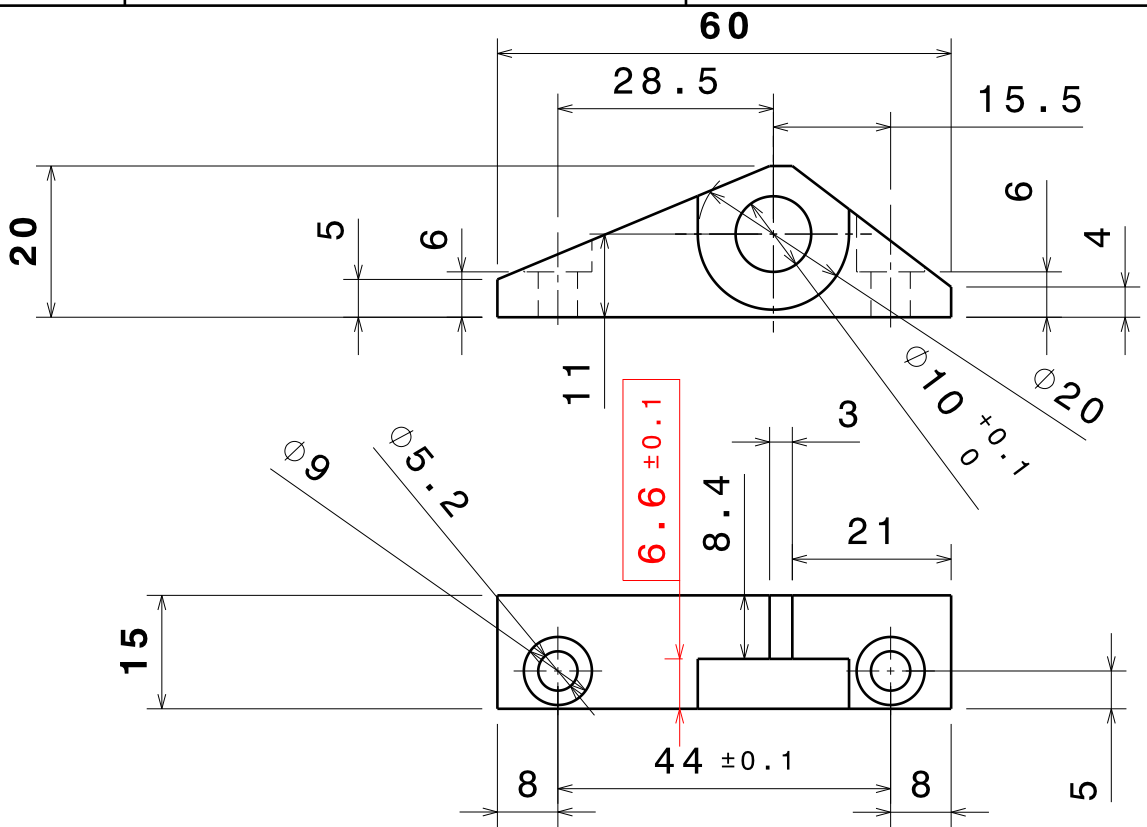


D

C

B

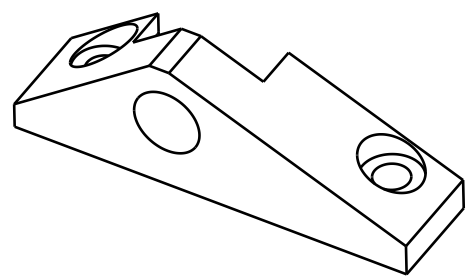
A



Vue de face
Echelle : 1:1

Vue de dessus
Echelle : 1:1

Vue isométrique
Echelle : 1:1



DESIGNED BY: XXX		<h1>FIXATION BAF-MAX- AV.D + AR.G</h1>			
DATE: 24-08-2015					
MATERIAL 2017A T451 ou 2024 T3		<h2>USI</h2>			
TOLERANCE JS13					
SIZE A4		<h3>N°3286.01.RD</h3>			
QUANTITY 2	WEIGHT 22g				
		<h3>1 / 1</h3>			
This drawing is our property; it can't be reproduced or communicated without our written agreement.				1 06-10-15	

D

A

4

4

3

3

2

2

1

1