

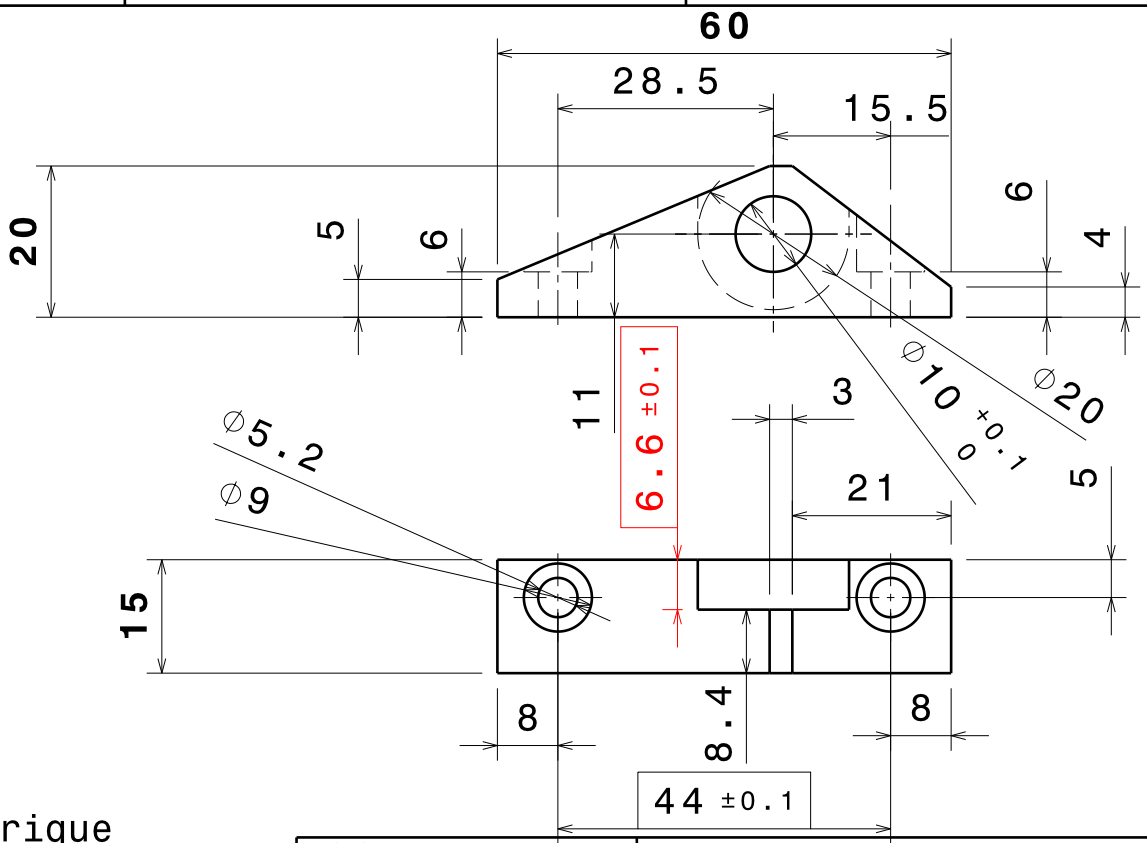
D

C

B

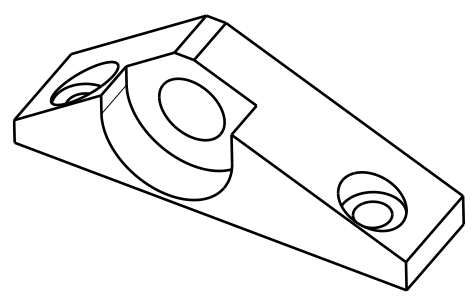
A

Vue de face  
Echelle : 1:1



Vue de dessus  
Echelle : 1:1

Vue isométrique  
Echelle : 1:1



DESIGNED BY: XXX		<b>FIXATION BAF-MAX- AV.G + AR.D</b>	
DATE: 24-08-2015			
MATERIAL <b>2017A T451 ou 2024 T3</b>		<b>USI</b>	
TOLERANCE JS13			
SIZE <b>A4</b>		<b>N°3285.01.RD</b>	
QUANTITY <b>2</b>	WEIGHT <b>22g</b>		
DRAWING NUMBER		SHEET	
		<b>1 / 1</b>	
This drawing is our property; it can't be reproduced or communicated without our written agreement.			1 06-10-15

D

A